

**Maharashtra State Electricity Distribution Company**  
**Limited**

**MATERIAL SPECIFICATIONS CELL**

TECHNICAL SPECIFICATION

FOR

**TECHNICAL SPECIFICATION OF 315KVA, 630 KVA, 1000  
KVA, 1250KVA, 1600KVA, 2000KVA & 2500 KVA, 11/0.433  
KV, 22/0.433 KV, 33/0.433 KV, Star-1, Star-2, Star-3, Star-  
4 & Star-5, THREE PHASE, DISTRIBUTION TRANSFORMERS  
OUTDOOR TYPE OIL IMMERSSED WITHOUT CSP FEATURE.**



TECHNICAL SPECIFICATION NO.

CE/MMC/MSC-II/3Phase/DT/T/2017/03,

Amended on Date: 12.05.2017

## INDEX

Clause No.	Contents
1	Scope
2	System Particulars
3	Service Condition
4	Applicable Standards
5	Specific Technical requirement
6	Design & Construction
6.1	Core
6.2	Windings
6.3	Losses
6.4	Insulation Material & Clearances
6.5	Impedance Value
6.6	Tank
6.7	Off Load Taps
7	Efficiency
8	Heat Dissipation
9	Total minimum oil volume
10	Conservator.
11	Breathers.
12	Terminals
13	Bushing and connections
14	Internal Connections
15	Tank base channel
16	Terminal Marking Plate & Rating Plate
17.1	Fittings
17.2	Fasteners
18	Lightning Arrestor
19	Transformer Oil
20	Tests & Inspection
21	Challenge Testing

**TECHNICAL SPECIFICATION OF 315KVA, 630 KVA, 1000 KVA, 1250KVA, 1600KVA, 2000KVA & 2500 KVA, 11/0.433 KV, 22/0.433 KV, 33/0.433 KV, Star-1, Star-2, Star-3, Star-4 & Star-5, THREE PHASE, DISTRIBUTION TRANSFORMERS OUTDOOR TYPE OIL IMMERSED WITHOUT CSP FEATURE.**

---

22	Type Tests
23	Drawings
24	Rejection
25	Cleaning & Painting
26	Guaranteed Technical Particulars
27	Testing facilities
28	Submission of Routine Test Certificate
29	Stage Inspection
30	Testing of all distribution transformers for losses at 50 % load and 100 % load
31	Random Sample Testing
32	Inspection & Testing of Transformer Oil
33	Quality Assurance
34	Qualifying Requirements
35	Final Inspection
36	Performance Guarantee
37	Cost Data Sheet
38	Schedule
Schedule A	Guaranteed and Other Technical Particulars
Schedule B	Tenderer's experience
Annexure-I	Air Pressure Test
Annexure-II	Unbalance Current Test
Annexure-III	Temperature Rise Test

**MAHARASHTRA STATE ELECTRICITY DISTRIBUTION COMPANY**

**TECHNICAL SPECIFICATION FOR 315 kVA & above and upto 2500 kVA, 11/0.433 , 22/ 0.433 & 33 /0.433 kV, Star-1, Star-2, Star-3, Star-4 & Star-5, THREE PHASE, DISTRIBUTION TRANSFORMERS WITHOUT CSP FEATUTRE.**

CE/MMC/MSC-II/3Phase/DT/T/2017/03 (Rev.)

**1 Scope:-**

- 1.1 This specification covers design, manufacturing, testing and delivery of **315 kVA & above and upto 2500 kVA, 11/0.433 , 22/ 0.433 kV & 33/0.433 kV, Star-1, Star-2, Star-3, Star-4 & Star-5, three phase distribution transformers without CSP feature oil immersed, Oil Natural (ONAN)** suitable for 11 kV, 22 kV & 33 kV, 50 Hz, Distribution system.
- 1.2 The equipment offered shall be complete with all parts necessary for their effective and trouble-free operation. Such parts will be deemed to be within the scope of the supply irrespective of whether they are specifically indicated in the commercial order or not.
- 1.3 It is not the intent to specify herein complete details of design and construction. The equipment offered shall conform to the relevant standards and be of high quality, sturdy, robust and of good design and workmanship complete in all respects and capable to perform continuous and satisfactory operations in the actual service conditions at site and shall have sufficiently long life in service as per statutory requirements.
- 1.4 The design and constructional aspects of materials shall not withstanding any anomalies, discrepancies, omissions, in-completeness, etc. in these specifications and will be subject to good engineering practice in conformity with the required quality of the product, and to such tolerances, allowances and requirements for clearances etc. as are necessary by virtue of various stipulations in that respect in the relevant Indian Standards, IEC standards, I.E. Rules, I.E. Act and other statutory provisions.
- 1.5 The Bidder/supplier shall bind himself to abide by these considerations to the entire satisfaction of the purchaser and will be required to adjust such details at no extra cost to the purchaser over and above the tendered rates and prices.
- 1.6 Tolerances:  
The tolerance of guaranteed performance figures shall be as specified in the (Part-I) table 1 of latest issue of IS 2026 **except losses** or relevant International Standard except wherever specified otherwise in this specification.

**2 System Particulars:-**

The transformers shall be suitable for outdoor installation with following system particulars and they should be suitable for service under fluctuations in supply voltage as permissible under Indian Electricity Rules

**TECHNICAL SPECIFICATION OF 315KVA, 630 KVA, 1000 KVA, 1250KVA, 1600KVA, 2000KVA & 2500 KVA, 11/0.433 KV, 22/0.433 KV, 33/0.433 KV, Star-1, Star-2, Star-3, Star-4 & Star-5, THREE PHASE, DISTRIBUTION TRANSFORMERS OUTDOOR TYPE OIL IMMERSSED WITHOUT CSP FEATURE.**

---

2.1	Nominal System Voltage	:	11 kV or 22 kV or 33 kV
2.2	Corresponding Highest System Voltage	:	12 kV or 24 kV or 36 kV
2.3	Rated Basic Insulation Level	:	75 KVp or 125 KVp or 170 KVp
2.4	Neutral earthing	:	Solidly earthed
2.5	Frequency	:	50 Hz with $\pm 3$ % tolerance
2.6	Number of Phases	:	3

**3 SERVICE CONDITIONS:**

3.1 Equipment supplied against the specification shall be suitable for satisfactory operation under the following tropical conditions:-

i	Max. ambient air temperature	:	50 Deg. C
ii	Max. relative humidity	:	100 %
iii	Max. annual rainfall	:	1450 mm
iv	Max. wind pressure	:	150 kg/sq.m.
v	Max. altitude above mean sea level	:	1000 mtrs.
vi	Isoceraunic level	:	50
vii	Seismic level(Horizontal acceleration)	:	0.3 g.
viii	Climatic Condition		Moderately hot and humid tropical climate conducive to rust and fungus growth.
ix	Reference Ambient Temperature for temperature rise	:	50 Deg C

3.2 The climatic conditions are prone to wide variations in ambient conditions and hence the equipment shall be of suitable design to work satisfactorily under these conditions.

3.3 The equipment shall be for use in moderately hot and humid tropical climate conducive to rust and fungus growth.

3.4 The Distribution Transformer shall be mark with standard mark governed by BIS as per clause 13.4 of IS 1180(Part 1):2014] .

3.5 The Distribution Transformer shall bear Star 1 or 2 or 3 or 4 or 5 ratings label approved by BEE ( Bureau of Energy Efficiency).

3.6 The Distribution Transformer shall bear level 2 (star 1 of BEE) or level 3 (star 2 of BEE) ratings label approved by BIS (Bureau of Indian Standard) as per IS 1180 (Part-1):2014.

3.7 The Bidder/ Manufacturer shall possess the BIS license for offered product.

**4 APPLICABLE STANDARDS:-**

4.1 The design, manufacture and performance of the equipment shall comply with all currently applicable statutes, regulations and safety codes. Nothing in this specification shall be construed to relieve the bidder off his responsibilities.

4.2 The Distribution Transformers shall conform to IS: 1180 (Part 1) : 2014 amended up to date or other International Standards for equal or better performance. Unless otherwise modified in this specification the Distribution Transformers shall comply with the Indian Standard Specification IS 1180 latest.

4.3 Unless otherwise specified, the equipment offered shall conform to amended up to date Indian, IEC, British or U.S.A. Standards and in particular, to the following:-

4.4 The applicable standards are as follows :

Sr.No.	IS number	IS name
1.	IS:1180(Part-1) : 2014	Outdoor type oil immersed distribution transformers up to and including 2500 kVA, 33KV.
2.	IS:2026(Part I to IV)	Specification for power transformer
3.	IS:335/1993	New insulating oil- Specification (fourth revision)
4.	IS:2099/1986, IS: 7421-1988, IS:3347 (Part-I /Sec-2)-1979, IS:3347 (Part-I /Sec-1)-1982 amended up to date	Bushing
5.	IS 5	Colours for ready mixed paints and enamels.
6.	IS 13730 (Part-27)1996	Specification for particular types of winding wires.
7.	IS: 3073/1974, IS: 3070( Part-II)	Specifications for L.A's
8.	CEA Guidelines August -2008	Manual on transformers

4.5 In case of conflict arising out due to variations between the applicable standard and the standards specified herein the provisions of this specification should prevail.

**5 Specific Technical requirement:**

5.1 Standard kVA Ratings:-

The standard ratings for transformer shall be 315 kVA & above and upto 2500 kVA as per IS 1180 (Part-I):2014

5.2 Nominal voltage ratings

- i Primary voltage : 11 kV/ 22 kV/33 kV
- ii Secondary voltage : 0.433 kV

5.2.1 Winding connections:-

- i. H.V. Winding : Delta ( $\Delta$ )
- ii. L.V. Winding : Star (Y)

so as to produce a positive phase displacement of 30 degrees from the primary to the secondary vectors of the same phase. The neutral of the L.V. winding shall be brought out to a separate insulated terminal. The voltage group shall be Dyn-11 (IS 2026 Part I).

5.3 Temperature Rise:

- i The temperature rise for top oil over an ambient temperature of 50° C should be 40°C maximum [measured by thermometer in accordance with IS 1180 (Part 1) & IS 2026 (Part 2)]
- ii Temperature rise for winding over an ambient temperature of 50° C should be 45° C maximum [measured by resistance method in accordance with IS 1180 (Part 1) IS 2026 (Part 2)]

5.4 No load voltage ratio:-

The no load voltage ratio shall be 11000/433 Volts, 22000/433 Volts & 33000/433 Volts.

**6 Design & construction**

- a. The spring washers must be used for fixing core with tie rod.
- b. Core base & bottom Yoke shall be supported with 75 mm X 40 mm X6 mm MS Channel with proper bolting. The core assembly shall be fixed by four locking bolts.
- c. The maximum flux density in any part of the core and yoke at rated voltage and frequency shall be such that the flux density with +12.5 % combined voltage and frequency variation with rated voltage and frequency does not exceed 1.9 Tesla. Flux density should not be more than 1.55 Tesla at rated voltage and frequency.
- d. Limit of no load current shall be 2% of full load current of respective winding at rated voltage.

**6.1 Core**

- i The core shall be stacked/ wound type.
  - a) **For Stack core** :- The core shall be of high grade cold rolled grain oriented (C.R.G.O) annealed steel lamination having low loss and good grain properties, coated with hot oil proof insulation, bolted together to the frames firmly to prevent vibration or noise. All core clamping bolts shall be effectively insulated. The complete design of core must ensure

permanency of the core losses with continuous working of the transformers.

**b) For Wound core :-**

The core shall be 'C' type construction of high grade cold rolled grain oriented (C.R.G.O.) annealed steel lamination having low loss and good grain properties, coated hot oil proof insulation. The complete design of core must ensure permanency of the core losses with continuous working of the transformers. The core material shall not be brittle in case of CRGO material.

Core clamping for C.R.G.O. Wound core type transformers shall be as follows:

1. Core clamping shall be with top and bottom U- shaped core clamps made of sheet steel clamped.
  2. M.S. core clamps shall be painted with oil-resistant paint.
  3. Suitable provision shall be made in the bottom core clamp / bottom plate of the transformer to arrest movement of the active part.
  4. Core shall be clamped by 16 mm diameter MS Tie rods.
- ii The grade of core laminations shall be M4 or better.
- iii The successful bidder, shall be required to submit the manufacturer's test report showing the Watt Loss per kg and the thickness of the core lamination, to ascertain the quality of Core materials.  
The purchaser reserves the right to get sample of the core material tested at any Government recognized laboratory.
- iv The transformer core shall not be saturated for any value of V/f ratio to the extent of 112.5% of the rated value of V/f ratio (i.e. 11000/50 or 22000/50) (due to combined effect of voltage and frequency) up to 12.5% without injurious heating at full load conditions and will not get saturated. The bidder shall furnish necessary design data in support of this situation.
- v Flux density:-  
The maximum flux density in any part of the core and yoke at rated voltage and frequency shall be such that the flux density with +12.5 % combined voltage and frequency variation with rated voltage and frequency does not exceed 1.9 Tesla. Flux density should not be more than 1.55 Tesla at rated voltage and frequency.
- vi The No load current at rated voltage shall not exceed the percentage as given below.



The no load current of 315 kVA & above and upto 2500 kVA transformer shall not exceed **2%** the full load current and will be measured by energizing the transformer at rated voltage and frequency. Increase of 12.5 percent of rated voltage shall not increase the no load current by **5%** of full load current.( As per IS 1180 (Part1):2014)

Number of steps of core shall be minimum of

Sr. No.	Rating (kVA)	Number of steps
1	315	Min. 7 standard steps
2	630	Min. 9 standard steps
3	1000	Min. 9 standard steps
4	1250	Min. 11 standard steps
5	1600	Min. 11 standard steps
6	2000	Min. 13 standard steps
7	2500	Min. 13 standard steps

vii. **Core clamping:**

- a. M.S channel for clamping core shall be 150 mm x 75 mm for 750 kVA to 1250 kV and 200 X 75 mm from 1600 kVA to 2500 kVA transformers.
- b. M.S. Core base support channel shall be 100 mm x 50 mm.
- c. 16 mm (min) dia, 2 nos High Tensile Bolts for 750,1000, 1250, 1600, 2000 & 2500 kVA in parallel at each end will be used.
- d. The top yoke channels to be reinforced by adequate size of M.S. flat with thickness not less than 8 mm, at equidistance if holes cutting are one for LT lead so as to avoid bending of channel.
- e. M S channels are to be painted by heat resistant paint.
- f. Core clamping shall be with top and bottom U- shaped core clamps made of sheet steel clamped.
- g. Suitable provision shall be made in the bottom core clamp / bottom plate of the transformer to arrest movement of the active part.

viii **Tie bolts:**

- a. 8 nos. of tie rods of 16 mm dia. high tensile steel in vertical formation.
- b. All top and bottom yoke nut bolts, if any, shall be MS and painted with heat and corrosion resistant paint before use.
- c. Drawing of the building of core to be approved before start of work.
- d. The base channels of the core shall not be cut channel.

**6.2 Winding:-**

The material for winding shall be Copper.

**TECHNICAL SPECIFICATION OF 315KVA, 630 KVA, 1000 KVA, 1250KVA, 1600KVA, 2000KVA & 2500 KVA, 11/0.433 KV, 22/0.433 KV, 33/0.433 KV, Star-1, Star-2, Star-3, Star-4 & Star-5, THREE PHASE, DISTRIBUTION TRANSFORMERS OUTDOOR TYPE OIL IMMERSSED WITHOUT CSP FEATURE.**

- i Materials:- Double paper covered Copper conductor shall be used for HV and LV winding for 11 kV , 22 kV & 33 kV with respective class.
- ii Current Density:- Current density for HV and LV winding should not be more than 2.8 Amp/sq. mm for Copper.
- iii L.V. Neutral formation shall be at top.

**6.3 Losses :**

*The total losses (no-load + load losses at 75 deg. Centigrade ) at 50% of rated load & total losses at 100% of rated load shall not exceed the maximum total loss values indicated as below:*

( As per Gazette notification issued by Ministry Of Power on Dated 16.12.2016 the respective losses capacity wise revised).

**TABLE – 1**

Rating	Impedance (Percent)	Maximum total losses in watts up to 11 kV Class ( For ratings above 200 kVA)									
		Star 1		Star 2		Star 3		Star 4		Star 5	
		50% Load	100% Load	50% Load	100% Load	50% Load	100% Load	50% Load	100% Load	50% Load	100% Load
315	4.50	1025	3100	955	2750	890	2440	829	2164	772	1920
630	4.50	1860	5300	1745	4850	1637	4438	1536	4061	1441	3717
1000	5.00	2790	7700	2620	7000	2460	6364	2310	5785	2170	5259
1250	5.00	3300	9200	3220	8400	3142	7670	3066	7003	2991	6394
1600	6.25	4200	11800	3970	11300	3753	10821	3547	10363	3353	9924
2000	6.25	5050	15000	4790	14100	4543	13254	4309	12459	4088	11711
2500	6.25	6150	18500	5900	17500	5660	16554	5430	15659	5209	14813

**Note:- 1) For Transformer having voltage class above 11 kV and up to and including 22 kV, the permissible total loss values shall not exceed by 5 percent of the maximum total loss values mentioned in above table. ( Ref Clause 7.8.1.1.2 of IS 1180: Part- I/2014)**

**2) For Transformer having voltage class above 22 kV and up to and including 33 kV, the permissible total loss values shall not exceed by 7½ percent of the maximum total loss values mentioned in above table. ( Ref Clause 7.8.1.1.3 of IS 1180: Part-I/2014)**

**Tolerances:**

No positive tolerance shall be allowed on the maximum losses given in the above table for both 50 % & 100 % loading values. In case the actual loss values exceed the above guaranteed values, the transformers shall be rejected at the risk, cost and responsibility of the supplier. The bidder should guarantee individual No load losses without any positive tolerance.

The values guaranteed in G.T.P. for flux density, no load current at rated voltage, no load current at 100 % & 112.5% of rated voltage and no load loss at rated voltage shall be individually met.

The tolerance on electrical performance excluding losses shall be as given in IS 2026(Part 1).

#### **6.4 Insulation material & clearances:**

- i** Materials - Makes of Electrical grade insulating craft paper, Press Board, Perma wood/ Haldi wood insulation shall be declared in GTP by the bidder. The test reports for all properties as per relevant I.S. amended up to date shall be submitted during inspection.
- ii** The electrical clearance between the winding and body of the tank (between inside surface of the tank and outside edge of the windings) should not be less than 30 mm and 40 mm for 11 kV and 22 kV class respectively.
- iii** Thickness of locking spacers and thickness of comb teeth between HV coils HV Disc – Minimum 3 mm. (minimum) up to 1000 kVA and 10 mm (minimum) above 1000 kVA Distribution transformers and minimum clearance for cross over coil shall be 10 mm upto 1000 kVA and 12mm above 1000 kVA

Minimum external clearances of bushing terminals

		<u>11 kV</u>	<u>22 kV</u>	<u>33 kV</u>
HV	Ph to Ph	255 mm	330 mm	350 mm
	Ph to E	140 mm	230 mm	320 mm
LV	Ph-to-Ph	75 mm.	75 mm	75 mm
	Ph to E	40 mm.	40 mm	40 mm

#### **6.5 Impedance Value -**

The percentage impedance at 75 ° C. for different ratings shall be as per Table-1 above.

#### **6.6 Tank**

- 6.6.1 The transformer tank shall be made up of prime quality M.S. sheets of rectangular shape. No other shape will be accepted. The transformer tank shall be of robust construction. All joints of tank and fittings should be oil tight and no bulging shall occur during service. The tank design shall be such that the core and windings can be lifted freely. The tank plates shall be of such strength that the complete transformer when filled with oil may be lifted bodily by means of the lifting lugs provided. Tank inside shall be painted by varnish or oil resistant paint. Top cover plate shall be slightly sloping; approximately 5 to 10 deg. towards HV bushing and edges of cover plate should be bent downwards so as to avoid entry of water through the cover plate gasket. The width of bend plate shall be 25 mm min. The

top cover shall have no cut at point of lifting lug. The rectangular tank shall be fabricated by welding at corners.

6.6.2 The transformer tank of corrugation is also acceptable, however shape of tank shall be rectangular only. The corrugation sheets thickness shall be of minimum 1.6 mm. Corrugation panel shall be used for cooling. The transformer shall be capable of giving continuous rated output without exceeding the specified temperature rise. Bidder shall submit the detailed calculation sheet alongwith offer. The safe guard angle frame 50X50X5 mm shall be welded for corrugated side to the tank.

6.6.3 In rectangular shape tanks, horizontal or vertical joints in tank side walls and its bottom or top cover will be not allowed. In addition the cover of the main tank shall be provided with an air release plug to enable air trapped within to be released.

Side wall thickness	:	4 mm. (min.)
Top and bottom plate thickness	:	6 mm. (min.) from 315 kVA to 1600 kVA
	:	10 mm (min) from 2000 kVA & 2500 kVA

a)The pressure deflection, when tank without oil is subjected to a vaccum of 500 mm of mercury for rectangular tank and 760 mm of mercury for round tank.

b)The permanent deflection shall be as below.

(All figures in mm)

Horizontal length of flat Plate	Permanent deflection
Up to and including 750 mm	5.0 mm
751 to 1250 mm	6.5 mm
1251 to 1750 mm	8.0 mm
Above 1751 mm	9.0 mm

c)The tank shall further be capable of withstanding a pressure of 0.8 kg/sq.cm and vaccum of 0.7 kg/sq.cm(g) without any deformation.

d)The height of the tank shall be such that minimum vertical clearance up to the top cover plate of 120 mm is achieved from top yoke / from the top of tap changer if tap is provided.

6.6.4 Reinforced by welded angle 50X75X5 MM upto 1250 kVA & 70X75X5 MM upto 2500 kVA on all the outside walls on the edge of tank to form two equal compartments

6.6.5 When transformer tank without oil is subject to air pressure of 35 KPa above atmospheric pressure for 30 min. Pressure test shall be performed carefully at the

time of 1<sup>st</sup> stage inspection only to confirm the adequacy of reinforcement angle and gauge of the tank and certified by E.E. (IW).

- 6.6.6 All welding operations to be carried out by MIG process.( Metal Inert Gas Welding)
- 6.6.7 Lifting lugs: 4 nos. welded heavy duty lifting lugs of MS plate of 12mm thickness upto 1600 kVA & 16 mm thickness upto 2500 kVA , suitably reinforced by vertical supporting flat of same thickness as of lug welded edgewise below the lug on the side wall, up to reinforcing angle and for top cover 8 mm thickness upto 1600 kVA and 10 mm thickness upto 2500 kVA. They shall be so extended that cutting of bend plate is not required.
- 6.6.8 Pulling lugs: 4 nos. of welded heavy duty pulling lugs of MS plate of 8mm & 10 mm thickness for upto 1600 kVA & 2500 kVA respectively, shall be provided to pull the transformer horizontally.
- 6.6.9 All bolts / nuts / washers exposed to atmosphere shall be as follows:
- a) Size 12mm or below—stainless steel.
  - b) Above 12mm--- steel with suitable finish like electro galvanized with passivation or hot dip galvanized.
- 6.6.10 Top cover fixing bolts; GI nut bolts of 1/2” diameter with one plain washer shall be used for top cover fixing, spaced at 4” apart. 6 mm neoprene bonded cork oil resistance gaskets conforming to type B/C IS 4253 Part-II amended up to date will be placed between tank and cover plate.
- 6.6.11 Vertical clearance: - The height of the tank shall be such that minimum vertical clearance up to the top cover plate of 120 mm is achieved from top yoke.
- 6.6.12 The transformer tank shall be of adequate mechanical strength to withstand positive and negative pressures built up inside the tank while the transformer is in operation.
- 6.6.13 The tank design shall be such that the core and windings can be lifted freely.
- 6.6.14 Plain tank shall be capable of withstanding a pressure of 80kPa for 30 minutes and a vacuum of 500 mm of mercury for 30 minutes (Type Test). The permanent deflection of flat plates shall not exceed the values given in IS 1180(Part 1): 2014 clause no. 21.5.2.1.
- 6.6.15 All bolts /nuts /washers exposed to atmosphere shall be as follows:-
- a) Size 12 MM or below – Stainless steel
  - b) Size above 12 MM – steel with suitable finish like electro galvanised with passivation.
- 6.6.16 Thermometer pocket must be located at centre of top cover or high side of tank height for true valve of max top oil temperature
- 6.6.17 Air release plug must be placed at top cover of explosion vent pipe, testing at 1kg/sq.cm carried out on sample at first lot to know correct material used for diaphragm and it must burst before pre determined pressure.

## **6.7 Off Load Taps:**

6.7.1 The standard tapping ranges, when taps are provided, shall be as follows:

Winding tapped : HV  
Number of tap positions : 7  
Voltage variations : (+) 5 percent to (-) 10 percent in steps of 2.5 percent for variation of HV Voltage (As per IS 1180 (Part1):2014 Clause 7.7.1).

6.7.2 For rating 500 kVA and above on load tap changers may be provided for variation of HV voltage from (+) 5% to (-)15 % in steps of 2.5 %.(As per IS1180 ( Part1):2014 Clause 7.7.3)

OR

*Provision of any other tapping range and tapping step is subject to agreement between the user and the supplier .(Amendment no.1 to IS1180 ( Part1):2014)*

*Note: The standard tapping range and tapping steps arrangement shall not be required up to 630 KVA capacity, when Distribution Transformers are procured by MSEDCL for any on going scheme.*

6.7.3 Tapping Method: Off circuit tap-changing arrangement shall be either by means of links or by means of an externally-operated switch with mechanical locking device and a position indicator. Arrangement for pad-locking shall be provided. ( As per IS 1180 (Part1):2014 Clause 7.7.2)

Tap changing shall be carried out by means of an externally operated self position switch and when the transformer is in de-energised condition switch position No.1 shall correspond to the maximum plus tapping. Each tap change shall result in variation of 2.5 % in voltage. Provision shall be made for locking the tapping switch handle in position. Suitable aluminium anodized plate shall be fixed for tap changing switch to know the position number of tap.

6.7.4 The Transformer shall be capable of being operated without danger on any tapping at the rated kVA with voltage variation  $\pm 10\%$  corresponding to the voltage of that tapping.

## **7.0 Efficiency:**

The efficiency is the ratio of output in KW to the input in KW.

$$\text{Efficiency} = \frac{\text{Input in KW} - \text{Total Losses in KW}}{\text{Input in KW}}$$

The minimum Percentage Efficiency of distribution transformer shall be 98.25 %. Total loss comprise of No-load loss and Load loss.

**8.0 Heat Dissipation:**

- a) Heat dissipation calculation should be based on minimum measured total loss ( No load at rated excitation + load loss at 100 %loading maximum current tap converted to 75 deg' C reference temperature) shall be supplied during temperature rise test.(if tapping provided at the lowest tap).
- b) The heat dissipation by tank wall should be increase to appropriate value considering the climatic temperature rise.

**9.0 Total Minimum Oil Volume :**

The firm should maintain the minimum oil volume in all supplied transformers as mentioned below or oil up to mark indicator level whichever is more.

Sr.No.	KVA rating	Oil in liters (exclusive of oil absorbed in core & coil assembly)		
		Voltage rating 11/0.433 kV	Voltage rating 22/0.433 kV	Voltage rating 33/0.433 kV
1	315	500	550	580
2	630	750	800	840
3	1000	850	900	950
4	1250	1000	1050	1100
5	1600	1300	1350	1400
6	2000	1550	1600	1650
7	2500	1900	1950	2000

**10.0 Conservator:**

- a) The total volume of conservator shall be such as to contain 10% of total quantity of oil. Normally 3% quantity of the total oil will be contained in the conservator. Dimension of the conservator shall be indicated on the General Arrangement Drawing. The capacity of the conservator tank shall be designed keeping in view the total quantity of oil and its contraction and expansion due to the temperature variations.
- b) Oil level indicator shall be provided on the side which will be with fully covered detachable flange with single gasket and tightened with MS nut-bolt. Level indication by colour shall not be accepted.
- c) The inside diameter of the pipe connecting the conservator to the main tank shall be within 20 to 32 mm and it should be project into the conservator in such way that its



end is approximately 20 mm above the total of the conservator so as to create a sump for collection of impurities. The minimum oil level (corresponding to (-) 5 deg.) should be above the sump level & filling hole (32mm dia) with cover.

- d) There shall be minimum -5deg, normal 30deg and maximum 98deg marking on the oil gauge indicator of the conservator.
- e) Buchholz Relay:- Above 1 MVA transformer as per Clause 20.1 V of IS 1180 is necessary.

### **11.0 Breather:**

- a) The material used for breather shall be only of Poly propylene
- b) The dehydrating agent shall be silica gel. The volume of breather shall be suitable for 1kg silica gel confirming to IS 3401 up to 1MVA and 2 kg for more than 1 MVA.

Makes of the breather shall be subject to purchaser's approval. The make and design of breather shall be subject to approval of C.E. (MMC).

### **12.0 Terminals:**

- a. The Palm type terminal connector of adequate capacity shall be connected to L.V side suitable to connect it to the Bus extension.
- b. On H.V. side the bimetallic connector to be provided with bimetallic lug of suitable rating.
- c. The rating of brass rod & copper rod for H.V. & L.V. shall be as per relevant IS for different capacity of Transformer. [Following (d) and (e) are indicative and shall be confirmed with relevant IS]
- d. Brass rods 12 mm. diameter for HT with necessary nuts, check-nuts and plain thick tinned washer.
- e. Tinned Copper Rods of 20 & 30 mm diameter for 315&630 kVA, 42 mm diameter for 1000 kVA & 1250kVA, 48 mm diameter upto 1600 kVA and 55 mm diameter above 1600 kVA distribution transformers for LT extension with suitable cable lugs, necessary nuts, check-nuts and plain thick tinned washer.

### **13.0. Bushings & Connections:**

- 13.1 The transformers shall be fitted on high voltage and low voltage sides with outdoor type bushings of appropriate voltage and current ratings. The high voltage bushings (3nos.) shall be provided with R-Y-B colour coding marking & shall conform to IS 2099. The low voltage bushings (4 nos.) shall conform to IS 7421. Alternatively, the low voltage side may be made suitable for adoption of PVC/XLPE cables of suitable size. The dimensions shall conform to IS 1180(Part 1): 2014 clause no. 10.1.5.



- 13.2 The bushing shall be made in two parts. The outer bushing shall be of porcelain. The dimensions of the outer bushing shall confirm to the relevant Part/Section of IS 3347 depending on the voltage class. The internal bushing shall be of either porcelain or tough insulating material, like epoxy and shall have embedded stem. Metal portion of the internal HV and LV bushing inside the tank shall remain dipped in oil in all operating conditions.
- 13.3 Gaskets shall be made of synthetic rubber or synthetic rubberized cork resistant to hot transformer oil.
- 13.4 For 11 kV class 12 kV bushing, for 22 kV class 24 kV & 33 kV class 36 kV bushing shall be used and for 433 volts 1.0 kV bushing shall be used. Bushings of the same voltage class shall be interchangeable. Bushings with plain shed shall be as per relevant IS:3347 amended up to date. HV bushings shall be mounted on the top of the transformer tank & LV bushings shall be mounted on side of the transformer tank.
- 13.5 HV bushings shall be mounted on curvature shaped embossed plate and not on welded M.S ring. Supporting clamps for LT cable should be provided to avoid the weight of cable on the Bushing.
- 13.6 The minimum creepage distance for both HV & LV Bushings shall not be less than 25 mm per kV.

#### **14.0 Internal connections:**

##### **14.1 H.V. Winding :**

- i. Leads should be taken through Bakelite tubes.
- ii. Inter coil spacers between HV sections by dovetailed paper block min.8mm to avoid displacement of coil during transportation.
- iii. The copper strip/foil used for core earthing at two locations shall be tinned copper.
- iv .In case of H.V. winding all jumpers from winding to bushing shall have cross section larger than winding conductor.
- v. Inter coil connection shall be by crimping and brazing.
- vi.In case of Copper Winding Delta joints shall be with crimping and Brazing only.
- vii. Lead from delta joint shall be connected to bushing rod by brazing only.

##### **14.2 L.V. Winding :**

- i. For Copper windings crimping & silver brazing alloy shall be used.
- ii. L.T. Star point shall be formed of Copper flat of sufficient length. Lead from winding shall be connected to the flat by crimping and brazing.
- iii. Firm connections of L.T. winding to bushing shall be made of adequate size of 'L' shaped flat. Connection of L.T. Coil lead to 'L' shape flat shall be by

crimping and brazing. Alternatively 'L' shape lug of adequate capacity effectively crimped shall be acceptable.

- iv. 'L' shape flat/lug shall be clamped to L.V. Bushing metal part by using nut, lock-nut and washers.

#### **15.0 Tank base channel / Mounting Arrangement :**

The under-base of the transformer shall be provided as per clause 14.2 of IS 1180(Part1):2014

#### **16.0 Terminal Marking Plates and Rating Plates :**

- a) All Transformer HV terminals shall be provided terminal marking plated to Tank. Each terminal, including with neutral, shall be distinctly marked on both primary & secondary in accordance with the connection diagram fixed upon the transformer which shall conformed to latest IS-2026 (part- IV).
- b) Each Transformer shall be provided with rating plate having marking as per IS 1180 (part-1):2014 clause no 13 clearly indicating max. total losses at 50% rated load in watts and maximum total losses at 100% rated load in watts
- c) Rating & terminal marking plates shall be combined into one plate and shall be mark with standard mark Govern by the provisions of the BIS act 1986.
- d) Terminals shall be provided with terminal marking plates. The transformer shall be provided with riveted rating plate of minimum 18 SWG aluminum anodized material sheet in a visible position. The entries of the rating plate shall be in indelibly marked (i.e. by etching, engraving or stamping).
- e) Marking as 'M.S.E.D.C.L'S and 'Sr. No.' of transformer shall be engraved on transformer main tank below L.T. bushings.
- f) The name of the company, order No., capacity, month and year of manufacturing shall be engraved on separate plate which shall be firmly welded to main tank and shall form integral part of the tank.
- g) The distribution transformer may also be marked with the Standard Mark. The use of Standard Mark is governed by the provisions of the Bureau of Indian Standards Act, 1986 and the Rules Regulations made thereunder.

Besides other particulars, following details shall also be given on the name plate.

- ISI Mark.
- BEE Energy Efficiency Star label
- BIS Energy Efficiency level.
- Order No. – Month & year.
- Sr. No. of transformer.
- Date of manufacturing – Month & year.

**TECHNICAL SPECIFICATION OF 315KVA, 630 KVA, 1000 KVA, 1250KVA, 1600KVA, 2000KVA & 2500 KVA, 11/0.433 KV, 22/0.433 KV, 33/0.433 KV, Star-1, Star-2, Star-3, Star-4 & Star-5, THREE PHASE, DISTRIBUTION TRANSFORMERS OUTDOOR TYPE OIL IMMERSSED WITHOUT CSP FEATURE.**

---

- Date of expiry of guarantee period – month & year.
- Maximum guaranteed 50% load loss & 100 % load loss figures.
- Name and full address of the manufacturer.
- Capacity.
- Rating.

**(All details on the rating and diagram plate shall be indelibly marked i.e. by engraving or stamping or etching).**

**17.1 Fittings:**

The following standard fittings shall be provided.

1	Rating and diagram plate	1 no.
2	Earthing terminals with lugs.	2 nos.
3	Lifting lugs	6 nos. ( 4 nos for tank and 2 nos for top plate of the transformer )
4	Oil filling hole with cap (on conservator)	1 no
5	Drain valve – 32mm for all T/Fs ( It shall be covered with metallic box spot welded to tank) IS554	1 no
6	Conservator with drain plug.	1 no
7	The pipe connecting the conservator to the main tank.	1 no
8	Thermometer pocket with cap	1 no
9	Air release device.	1 no
10	Explosion vent with diaphragm	1 no
11	Silica gel breather 1kg /2 kg	1 no
12	Platform mounting channel ( with hole suitable for axle of rollers)	2 nos
13	Oil level gauge indicating 3 positions of oil marked as below :	1no
	Minimum (-) 5 deg.C.	
	Normal 30 deg.C	
	Maximum 98 deg.C.	
14	HT & LT bushing and terminal connectors	3 nos. of HT bushing and 4 nos. of LT bushing shall be provided with 3

**TECHNICAL SPECIFICATION OF 315KVA, 630 KVA, 1000 KVA, 1250KVA, 1600KVA, 2000KVA & 2500 KVA, 11/0.433 KV, 22/0.433 KV, 33/0.433 KV, Star-1, Star-2, Star-3, Star-4 & Star-5, THREE PHASE, DISTRIBUTION TRANSFORMERS OUTDOOR TYPE OIL IMMERSED WITHOUT CSP FEATURE.**

		nos. of brass nuts and 2 plain brass washers.
15	Radiators	As per Cl. No. 8 (b)
16	Lightening Arrestors for HT bushings	3 nos
17	Pulling lugs	4 nos
18.	Rollers	4 nos
19.	Five year guarantee plate	1 no.
20	Filter valve ( 32 mm dia)	1 no.
21	Anti-theft stainless steel fastners with breakaway nut at top cover	4 nos.
22	Jacking pad for transformer above 1600KVA.	1 Set
23	Magnetic oil level guage with low oil level alarm contact for above 1600KVA transformer.	1 no.

Any other fitting necessary for satisfactory performance.

### 17.2 Fasteners.

- All bolts, studs, screw threads, pipe threads, bolt heads and nuts shall comply with the appropriate Indian standards for metric threads or the technical equivalent.
- Bolts or studs shall not be less than 6 mm in diameter except when used for small wiring terminals.
- All nuts and pins shall be adequately locked.
- Wherever possible bolts shall be fitted in such a manner that in the event of failure of locking resulting in the nuts working loose and falling off, the bolt will remain in position.
- All ferrous bolts, nuts and washers placed in outdoor positions shall be treated to prevent corrosion by hot dip galvanizing except high tensile steel bolts and spring washers, which shall be Electro, galvanized. Appropriate precautions shall be taken to prevent electrolytic action between dissimilar materials.
- Each bolt or stud shall project at least one thread but not more than three threads through the nut, except when otherwise approved for terminal board studs or relay stems. If bolts are provided at inaccessible places for ordinary spanners, special spanners shall be provided.
- The length of screwed portion of the bolts shall be such that no screw thread may form part of a sheer plane between members.
- Taper washers may be provided where necessary. Protective washers of suitable material shall be provided front and back of the securing screws.
- LT side should be of Pad type terminal.

## **18.0 Lightning Arrestors:**

The Lightning Arrestors (Disconnecter type) of high surge capacity of 9 kV( Vrms), 5 kA( 8/20 micro wave shape) for 11 kV class transformers and 18 kV( Vrms), 5 kA ( 8/20 micro wave shape) for 22 kV class transformers & 30 kV, 10 kA ( 8/20 micro wave shape) for 33 kV , conforming to IS: 3070/1993 shall be mounted on the HV bushings of transformer, clamped securely to the tank, to protect the transformer and associated line equipment from the occasional high voltage surges resulting from lighting or switching operations. The earthing terminal of the lightning arresters shall be grounded separately.

Random sample of LA shall be destructively tested by breaking the LA to confirm availability of inside component only.

## **19.0 Transformer Oil**

Transformer oil to be used in all the Distribution transformers shall comply with the requirements of latest IS 335/1983 amended up to date thereof. In addition the oil should conform to 'Ageing Characteristics' specified below for New Oil and Oil in Transformers. Type test certificates of oil being used shall be produced to EE (IW) at the time of stage inspection.

New oil - Ageing characteristics after accelerated ageing test 96 hrs at 115° C (open beaker method with copper catalyst):

- i. Specific Resistance (Resistivity)
  - a) at 20 ° C :-  $2.5 \times 10^{12}$  Ohm-Cm (Min)
  - b) at 90 ° C :-  $0.2 \times 10^{12}$  Ohm-Cm (Min)
- ii. Dielectric dissipation factor - 0.20 (Max .tan delta) at 90 ° C.
- iv. Total sludge value (%) by weight - 0.05 (Max.)
- v. The method of testing these aging characteristics is given in Appendix - C of IS 335 amended up to date.
- vi. The Density of oil shall be maximum 0.89 g / cm<sup>3</sup> at 29.5 ° C as per IS 1448.
- vii. Total acidity mg/KOH/gm-0.05(Max.)
- viii. The important characteristics of the transformer oil after it is filled in the transformer (within 3 months of filling) shall be as follows: -

**TECHNICAL SPECIFICATION OF 315KVA, 630 KVA, 1000 KVA, 1250KVA, 1600KVA, 2000KVA & 2500 KVA, 11/0.433 KV, 22/0.433 KV, 33/0.433 KV, Star-1, Star-2, Star-3, Star-4 & Star-5, THREE PHASE, DISTRIBUTION TRANSFORMERS OUTDOOR TYPE OIL IMMERSSED WITHOUT CSP FEATURE.**

Sr.No.	Characteristics	Specifications
1.	Electric Strength (Breakdown voltage)	30 kV (Min)
2.	Dielectric dissipation factor (Tan Delta) at 90 deg.C.)	0.01 (Max)
3.	Specific Resistance (Resistivity) at 27 deg. C (ohm-cm)	$10 \times 10^{12}$
4.	Flash Point, P.M. (closed)	140 ° C (Min)
5.	Inter facial tension at 27 ° C.	0.04N/M (Min)
6.	Neutralization value (total acidity)	0.03Mg.KOH/gm (Max.)
7	Water content PPM	40 (Max)

**20.0 Test and Inspection:-** All routine, type and special tests as described in Clause 21.2 to 21.4 of IS 1180 (Part 1):2014 shall be performed as per relevant parts of IS 2026. Pressure and oil leakage test shall be conducted as per Clause 21.5 of IS 1180 (Part1):2014.

**20.1 Routine Tests (to be conducted on all units):-** The following shall constitute the routine tests:

- a) Measurement of winding resistance [ IS 2026 (Part 1)].
- b) Measurement of voltage ratio and check of phase displacement [ IS 2026 (Part 1)].
- c) Measurement of short circuit impedance ( principal tapping, when applicable) and load loss at 50 percent and 100 percent load [ IS 2026 (Part 1)].
- d) Measurement of no load loss and current [ IS 2026 (Part 1)].
- e) Measurement of insulation resistance [ IS 2026 (Part 1)].
- f) Induced over-voltage withstand test [ IS 2026 (Part 3)].
- g) Separate-source voltage withstand test [ IS 2026 (Part 3)].
- h) Pressure test
- i) Oil leakage test

**20.2 Type Tests (to be conducted on one unit):-** The following shall constitute the type tests:

- a) Lightning impulse test [ IS 2026 (Part 3)].
- b) Temperature-rise test [ IS 2026 (Part 2)].  
Note – Maximum measured total loss ( No load at rated excitation + load loss at maximum current tap converted to 75 Deg.Celcius reference temperature) at 100 percent loading shall be supplied during temperature rise test.
- c) Short-circuit withstand test [ IS 2026 (Part 5)]. ( above 200 kVA)

d) Pressure test.

In addition to that the successful bidder shall submit the type test report of transformer Oil & HV/LV bushings as per relevant IS with offer.

**20.3 Special Tests (to be conducted on one unit):-** The following shall constitute the special tests which shall be carried out by mutual agreement between the user and the supplier.

- a) Determination of sound levels [ IS 2026 (Part 10)].
- b) Short-circuit withstand test [ IS 2026 (Part 5)]. ( above 200 kVA).  
NOTE :- Routine tests before and after short circuit test shall be conducted as per IS 2026 ( Part 1)
- c) No load current 112.5 percent voltage [refer clause 7.9.2 of IS 1180(Part 1): 2014].
- d) Paint adhesion tests: The test is performed as per ASTM D 3359 ( Standard Test Methods for measuring adhesion by Tape Test).
- e) BDV and moisture content of oil in the transformer ( IS 335).  
Note:Tests at (d) and (e) may be carried out on more than one unit subject to agreement between user and supplier.

**20.4 Pressure and Oil leakage Test :-**

**20.4.1 Pressure Test ( Type Test) :** For non-sealed and sealed type transformers, the transformer tank subjected to air pressure of 80 kPa for 30 min and vacuum of 500 mm of mercury for 30 min. The permanent deflection of flat plate, after pressure/vacuum has been released, shall not exceed the values given below.

Length of Plate	Deflection
Up to 750 mm	5.0 mm
751 mm to 1250 mm	6.5 mm
1251 to 1750 mm	8.0 mm
Above 1751 mm	9.0 mm

**20.4.2. Pressure Test ( Routine Test) :**

**a) Plain tanks :** The transformer tank with welded / bolted cover shall be tested at a pressure of 35 kPa above atmospheric pressure maintained inside the tank for 10 min. There should be no leakage at any point .

**b) Corrugated tanks :** The corrugated transformer tank shall be tested for air pressure of 15 kPa above atmospheric pressure maintained inside the tank for 10 min. There should be no leakage at any point .



**20.4.3 Oil leakage Test ( routine Test) :** The assembled transformer for non-sealed and sealed type with all fittings including bushing in position shall be tested at a pressure equivalent to twice the normal head measured at the base of the tank for 8 h. There should be no leakage at any point. Tank with corrugations shall be tested for oil leakage test a pressure of 15 kPa measured at the top of the tank for 6 h. There should be no leakage at any point.

All the routine tests shall be conducted in the suppliers' laboratory at their own cost.

- i) Heat run test shall be arranged free of cost on the unit selected from the 1<sup>st</sup> lot by Executive Engineer/Authorized Representative.
- ii) The calculations to confirm the thermal ability IS or equivalent International Standard shall be submitted to Executive Engineer (IW).

## **21.0 Challenge Testing:**

The manufacturer can also request challenge testing for any test based on specification and losses. The challenger would request for testing with testing fees. The challenge test fees are proposed at least three times the cost of testing. This is likely to deter unnecessary challenges. The challenger would have the opportunity to select the sample from the store and any such challenge should be made within the guarantee period. The party challenged, challenger and the utility could witness the challenge testing.

The challenge testing would cover following tests:

1. Measurement of magnetizing current.
2. No load losses test.
3. Load losses test (at 50 % loading or as per routine test).
4. Temperature rise test.

The challenge test could be conducted at NABL Laboratory, like ERDA and CPRI. If the values are within the limits the products gets confirmed else not confirmed. No positive tolerances in losses is permitted. If the product is not confirmed the manufacturer would pay the challenge fee and challenger would get the fee refunded. However as a redressal system the challenger would be allowed to ask for fresh testing of two or more samples from the store and the same be tested in NABL Laboratory in presence of party challenge, challenger and the utility.

If any one of the above sample does not confirm the test, then the product is said to have failed the test. In such cases the manufacturer will be declared as unsuccessful manufacturer for the said product with wide publicity and would not allow to complete in tenders of the MSEDCL for the period of three years and heavy penalty would be imposed.

## **22.0 Type Tests**

**22.1** The Type Tests as per Clause 20.2 above shall be successfully carried out at laboratories accredited by National Accreditation Board for Testing and Calibration



Laboratories (NABL) in accordance with IS 1180(Part 1):2014 as amended from time to time and technical specifications, within the last 5 (five) years prior to the date of offer.

**22.2** The type test reports should be submitted and got approved from the Chief Engineer (MMC) before commencement of supply.

**22.3 In case of any of the following, the offer may be considered for evaluation only.**

- i) If above tests are carried out beyond 5 years
- ii) Impulse Voltage Withstand test ,Dynamic Short Circuit test, Temperature rise Test & Pressure Test carried out not from NABL approved Laboratory.
- iii) If there is any change in the design/ type of old type tested transformers to be offered against this specification.

**Note:** *However, In that case successful bidders have to carry out the type tests at the laboratories accredited by NABL before commencement of supply at their own expense on the sample drawn by the purchaser from the lot offered for first Stage Inspection.*

**22.4** In respect of the successful bidder, the purchaser reserves the right to demand repetition of some or all the type tests in presence of the purchaser's representative. In case the unit fails in the type tests, the complete supply shall be rejected. The bidders are therefore requested to quote unit rates for carrying out each type test, which however, will not be considered for evaluation of the offer.

**23.0 Drawings & Calculation sheet:-**

**23.1** A set of following drawings with all dimensions shall be submitted by the Bidder along with the offer:

- i. General Dimensional drawing.
- ii. Core Assembly drawing.
- iii. Internal Construction Drawing
- iv. Rating & Diagram Plate Drawing.
- v. HV& LV Bushings Assembly drawing
- vi. Creepage distances distance drawing of HV& LV Bushing
- vii. Silica gel Breather drawing.
- Viii Technical Detail drawing.
- ix. Calculation sheet for flux density
- x. Heat dissipation

- xi. Oil absorption
  - xii. Thermal time constant.
- 23.2 The drawings shall be of A-3 (420 x 297 mm) size only. The bidder should also supply along with his offer the pamphlets/literatures etc. for fittings / accessories.
- 23.3 The bidder should not change design once offered as per A/T, Approved drawings and Type Test Reports.
- 23.4 The successful Bidders shall submit complete set of Drawings (as listed in Cl.No.23.1) of transformer in triplicate indicating dimensions to CE (MMC) for approval and get approved it before offering Ist stage inspection.

#### **24.0 Rejection :-**

- 24.1 Apart from rejection due to failure of the transformer to meet the specified test requirements the transformer shall be liable for rejection on any one of the following reasons.
- i. Maximum load losses at 50 % load & 100% Load loss exceeds the specified values mentioned in Cl. No.6.3 above.
  - ii. Impedance voltage value exceeds the Guaranteed value plus tolerances as mentioned at Cl.No.6.5 above.
  - iii Type test are not carried out as per clause no. 22.0 of the specification.
  - iv. Drawings are not submitted as per clause no. 23.0 of the specification.
  - v. GTP not submitted as per clause no. 26.0 of the specification.
  - vi Heat dissipation calculation sheet are not submitted as per clause no.8.0 of the specification.

#### **25.0 Cleaning and Painting.**

- i. The external surfaces shall be painted with one coat of thermo setting powder paint or one coat of epoxy primer followed by two coats of polyurethane (finish coat)for (outside) and hot oil resistant paint/varnish with one coat (inside) with dry film thickness as mentioned in Table 12, clause 15.5 of IS 1180(Part 1):2014.
- ii. The certificate shall be produce by the manufacturer if seven tank facilities are availed from the other vendor about availability of the adequate size of tank for treatment.
- iii.The test of measurement of paint thickness shall be carried out cross hatch test, chemical test and other as per IS 13871:1993
- iv. The surface of the tank shall be properly pre-treated / phosphated in a seven tank process and shall be applied with a powder coating of 40 micron thickness. The powder coating shall be of **Aircraft Blue** colour ( shade No. 108) for

- transformers. Powder coating shall be suitable for outdoor use. The seven tank process facility shall be enhance to ensure proper quality for outdoor application.
- v. The month and year of supply shall be painted in red bold **Marathi** lettering at two places, one on conservator and other at sum conspicuous place on the transformer which shall be clearly visible from the ground.

#### **26.0 Guaranteed & Technical Particulars:**

The bidder should fill up all the details in GTP parameter list, the statement such as “as per drawings enclosed”, “as per MSEDCL’s requirement” “as per IS” etc. shall be considered as details are not furnished and such offers shall liable for rejection.

#### **27.0 Testing facility**

The bidder should have adequate testing facility for all routine and acceptance tests and also arrangement for measurement of losses, resistance, etc. details of which will be enumerated in the tender.

#### **28.0 Submission Routine Test Certificate**

a. The successful bidder shall submit the routine test certificate along with documentary evidence for having paid the Excise Duty for the following raw materials viz. Oil, Aluminum, copper for conductors, insulating materials, core materials, bushings at the time of routine testing of the fully assembled transformer

b. Instruction and operation Manual

The successful bidder shall be required to submit 5 copies of instruction and Operation manual for each lot of 100 Transformers (or part thereof) supplied. This instruction manual should give complete details about the pre-commissioning tests/checks and the details of preventive maintenance etc.

#### **29.0 Stage Inspection :-**

- 29.1 Supplier shall give 15 days’ advance intimation to the Chief Engineer (MMC) and S.E. (MM) to organize stage inspection in which assembly of core, windings and other core materials etc. would be inspected. In respect of raw materials such as core stamping, winding conductor, oil etc. successful bidder shall use these materials manufactured/supplied by the standard manufacturers and furnish the manufacturer's test certificates, as well as, proof of purchase from those manufacturers documentary evidence for having paid the excise duty for the information of the department.
- 29.2 Chief Engineer (MM Cell) will depute representatives from testing and inspection wing at the time of Stage inspection.
- 29.3 10 % of the transformers from the offered lot will be tested for acceptance tests at factory, in the presence of purchaser's representative before dispatch.
- 29.4 The inspection may be carried out by the purchaser at any stage of manufacture. The successful bidder shall grant free access to the purchaser's representatives at a reasonable time when the work is in progress. Inspection and acceptance of any

equipment under this specification by the purchaser shall not relieve the supplier of his obligation of furnishing equipment in accordance with the specifications and shall not prevent subsequent rejection if the equipment is found to be defective.

- 29.5 The purchaser may at its option, open a transformer supplied to the Stores, in presence of supplier at site or at Stores. If any of the technical particulars are seen to be in variance than the guaranteed technical particulars, the whole lot of transformer will be rejected without any liability on purchaser.
- 29.6 In addition to the above, the purchaser may pick up any transformer and decide to get it type tested from any laboratory accredited by NABL at purchaser's cost. The Bidder will have to organize packing of the transformer at company's Stores for which they will be paid necessary charges. If the transformer fails to meet the requirement of type tests, the quantity of transformers ordered on them will be forthwith rejected and the purchaser may purchase these transformers at the risk and cost of the supplier.

### **30.0 Testing of all Distribution Transformers for losses at 50% load and 100% load:**

After inspection of new transformers at factory for acceptance of the lot, all distribution transformers from the lot will be tested for 50% load and 100% load at all stores. Tenderer has liberty to be present at the time of testing.

### **31.0 Random Sample Testing (RST)**

The tenderer should intimate to C.E. (MM Cell ), M.S.E.D.C.L of completion of dispatches of whole lot of Distribution Transformers to stores against this tender. C.E. (MM Cell), M.S.E.D.C.L for will select the stores for Random Sample Testing (RST) and depute E.E. (Testing) to carry out RST of the lot.

E.E. (Testing) will select a transformer from the lot of transformers already tested for 50 % load and 100 % load. 15 days advance intimation will be given to tenderer for joint inspection. The date of RST will not be altered to the convenience or request of supplier. If supplier's representative fails to attend on the date fixed for RST, the RST will be carried out in his absence and results of RST will be binding on supplier. In case the selected transformer fails in any of the tests, complete lot of transformers will be rejected.

### **32.0 Inspection & Testing of Transformer Oil:**

The tenderer shall make arrangements for testing of transformer oil to be used in the transformers and testing will be done in presence of purchaser's representative.

To ascertain the quality of transformer oil, original manufacturer's test report should be furnished to EE (Testing) at the time of factory inspection for acceptance of the lot.

### **33.0 Quality Assurance**

- 33.1 The bidder shall invariably furnish following information along with the offer failing to which the offer will be rejected.

- 33.2 Certificates of following materials.
- i. Copper conductor
  - ii. Transformer oil
  - iii. Core
  - iv. Insulating paper.
  - v. Porcelain Bushings
  - vi Steel Plate used for Tank
- 33.3 Names of the supplier for the raw material, list of standard accordingly to which the raw materials are tested, list of test normally carried out on raw materials in presence of bidder's representatives, copies of type test certificates to be furnished.
- 33.4 Information and copies of test certificate as in (33.3) above respect of bought out accessories including terminal connectors.
- 33.5 List of manufacturing facilities available, in this list the bidder shall specifically mention whether lapping machine, vacuum drying plant, air conditioned dust free room with positive air pressure for provision of insulation and winding etc are available with him.
- 33.6 Level of automation achieved and list of areas where manual processing still exists.
- 33.7 List of areas in manufacturing process where stage inspection are normally carried out for quality control and details of such tests and inspections.
- 33.8 Special features provided in the equipments to make it maintenance free
- 33.9 List of testing equipment available with the bidder for final testing of transformers and test plant limitation, if any, vis-à-vis the type, special acceptance and routine tests specified in the relevant standards and the present specification. These limitations shall be very clearly brought out in Schedule – D i.e. schedule of deviations from specified test requirements.
- 33.10 The successful bidder shall submit the Routine Test Certificate along with documentary evidence having paid for the excise duty for the following raw materials viz Oil, Copper for conductors, insulating materials, Core materials, Bushing at the time of routine Testing of the fully assembled transformer.

#### **34.0 Qualifying Requirement: As per Tender**

#### **35.0 Final Inspection**

10 % of the transformers offered will be tested for all tests without opening the transformer. Heat Run Test will have to be carried out on the transformer having maximum no load and full load losses taken together. Chief Engineer (MM Cell ) will depute his representatives from testing and inspection wing at the time of final inspection.

- 35.1 Leakage test on sample transformer shall be carried out during final inspection as per relevant IS.

#### **36.0 Performance Guarantee:**

**TECHNICAL SPECIFICATION OF 315KVA, 630 KVA, 1000 KVA, 1250KVA, 1600KVA, 2000KVA & 2500 KVA, 11/0.433 KV, 22/0.433 KV, 33/0.433 KV, Star-1, Star-2, Star-3, Star-4 & Star-5, THREE PHASE, DISTRIBUTION TRANSFORMERS OUTDOOR TYPE OIL IMMERSED WITHOUT CSP FEATURE.**

All transformers supplied against this specification shall be guaranteed for a period of 66 months from the date of receipt at the consignee's Stores Center or 60 months from the date of commissioning, whichever is earlier. However, any engineering error, omission, wrong provisions, etc. which do not have any effect on the time period, shall be attended to as and when observed/ pointed out without any price implication.

**37.0 COST DATA SHEET:-**

The bidders shall submit the cost data sheets indicating the break up prices and quantity of each raw material and components along with the unit rates required for manufacture the offered transformers along with the offer. The cost data sheet format is enclosed herewith.. If the rates quoted are not justified with the cost data sheets, the offer shall not be considered for evaluation and placement of the order.

The cost data sheets shall be scrutinized by MM Cell section.

FORMAT FOR COST DATA					
ITEM ----- KVA , ----- KV DISTRIBUTION TRANSFORMER					
Sr. No.	PARTICULARS	UNIT	UNIT RATES Rs.	QTY	AMT (Rs.)
1	CORE (M4 or better )	KG			
2	ALUMINIUM/COPPER WITH DPC FOR HV WINDING	KG			
3	ALUMINIUM/COPPER WITH DPC FOR LV WINDING				
3	INSULATION PAPER	Meter			
4	OIL	LTRS			
5	TANK	NO			
6	CHANNELS	KG			
7	INSULATORS/BUSHINGS	KG			
8.	OTHERS	LUMP SUM			
				TOTAL	
	WASTAGE @ %				

**38.0 Schedules**

38.1 The bidder shall fill in the following schedules which form part of the tender specification and offer. If the schedules are not submitted duly filled in with the offer, the offer shall be rejected.

Schedule `A' -Guaranteed Technical Particulars

Schedule `B' -Schedule of Tenderer's Experience.

- 38.2 The discrepancies between the specification and the catalogs, Literatures and indicative drawings which are subject to change, submitted as part of the offer, shall not be considered and representation in this regard will not be entertained.
- 38.3 The Bidder shall submit the list of orders for similar type of equipments, executed of under execution during the last three years, with full details in the schedule of Tenderer's experience (Schedule `B') to enable the purchaser to evaluate the tender.

## Schedule `A'

### *GUARANTEED TECHNICAL PARTICULARS*

*As indicated in E-Tendering GTP Parameter*



SCHEDULE – ‘B’

SCHEDULE OF TENDERER'S EXPERIENCE

Tenderer shall furnish here a list of similar orders executed/under execution by him to whom a reference may be made by Purchaser in case he considers such a reference necessary.

---

Sr. No.	Name of client & Description.	Value Of Order (along with cap. of T/F)	Period of supply & commissioning	Name & Address to whom reference may be made.
1	2	3	4	5

---

NAME OF FIRM \_\_\_\_\_

NAME & SIGNATURE OF TENDERER \_\_\_\_\_

DESIGNATION \_\_\_\_\_

DATE \_\_\_\_\_

**TECHNICAL SPECIFICATION OF 315KVA, 630 KVA, 1000 KVA, 1250KVA, 1600KVA, 2000KVA & 2500 KVA, 11/0.433 KV, 22/0.433 KV, 33/0.433 KV, Star-1, Star-2, Star-3, Star-4 & Star-5, THREE PHASE, DISTRIBUTION TRANSFORMERS OUTDOOR TYPE OIL IMMERSED WITHOUT CSP FEATURE.**

---

**Annexure I**

Air Pressure Test

Name of Supplier:

Order No.:

Capacity & Voltage Ratio of Distribution Transformer : \_\_\_\_\_ kVA, \_\_\_\_/0.433 kV

Vector Group Dyn11

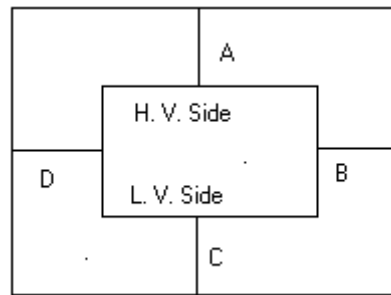
Sr. No. of equipment Tested:

Date of Testing:

Reference Standard

---

All the opening of the transformer tank were closed with suitable gasket, bushing, valves and plugs. The compressor pipe connected at oil filling hole on conservator and a pressure guage was fitted at air vent plug. The parallel string were places around the tank, the distance between string and tank as shown in following diagram were recorded before applying the pressure and after releasing pressure.



Tank Thickness: Side \_\_\_\_\_ mm. Top & Bottom \_\_\_\_\_ mm

Test Pressure : \_\_\_\_\_ kg/cm<sup>2</sup> applied for 30 Minutes.

Test Point	Distance before Test In mm	Distance after release of Pressure in mm	Deflection In mm
A			
B			
C			
D			

Permanent Deflection : \_\_\_\_\_ mm

Permissible Limit of Permanent Deflection as per Specification : \_\_\_\_\_ mm

Test witnessed by

Tested by

**Annexure II**

**Unbalance Current Test**

Name of Supplier:

Order No.:

Capacity & Voltage Ratio of Distribution Transformer : \_\_\_\_\_ kVA, \_\_\_\_/0.433 kV

Vector Group Dyn11

Sr. No. of equipment Tested:

Date of Testing:

Reference Standard

---

Transformer Secondary terminals 2U, 2V & 2W are shorted. The shorted 2U, 2V & 2W is connected to 2N through Ammeter. The primary terminals 1U, 1V & 1W are connected to supply. The rated current \_\_\_\_\_ A is fed to primary and unbalance current is noted on Ammeter.

Unbalance Current Measured in Ammeter : \_\_\_\_\_ A

Rated current in Secondary Side : \_\_\_\_\_ A

Permissible limits as per specification : 2% of the Rated current in Secondary Side

% of Unbalance current with reference to Rated current in Secondary Side

$$= \frac{\text{Unbalance Current} \times 100}{\text{Rated current in Secondary Side}}$$

=

=

Test witnessed by

Tested by

**TECHNICAL SPECIFICATION OF 315KVA, 630 KVA, 1000 KVA, 1250KVA, 1600KVA, 2000KVA & 2500 KVA, 11/0.433 KV, 22/0.433 KV, 33/0.433 KV, Star-1, Star-2, Star-3, Star-4 & Star-5, THREE PHASE, DISTRIBUTION TRANSFORMERS OUTDOOR TYPE OIL IMMERSSED WITHOUT CSP FEATURE.**

---

**Annexure III**

Temperature Rise Test

Name of Supplier:

Order No.:

Capacity & Voltage Ratio of Distribution Transformer : \_\_\_\_\_ kVA, \_\_\_\_/0.433 kV

Vector Group Dyn11

Sr. No. of equipment Tested:

Date of Testing:

Reference Standard

	H. V. Winding	L. V. Winding
Rated Line Current in Amp		

Guaranteed No Load Losses \_\_\_\_\_ watt

Load Losses \_\_\_\_\_ watt

Total Losses \_\_\_\_\_ watt

P. T. Ratio : \_\_\_\_\_/\_\_\_\_\_ =

C. T. Ratio : \_\_\_\_\_/\_\_\_\_\_ =

Wattmeter Constant \_\_\_\_\_ =

Total Multiplying Factor (MF) \_\_\_\_\_ =

TIME	Ambient Temp.				Top Oil Temp. °C	Rise in Top Oil Temp. °C	Line Voltage in Volts	Line Current in Amps	W1 watts	W2 watts	W3 watts	W1+W2+W3 watt	Multiplying Factor (MF)	Total Watt
	T1 °C	T2 °C	T3 °C	Average °C										
Reduced to Rated Current _____ amps														

**TECHNICAL SPECIFICATION OF 315KVA, 630 KVA, 1000 KVA, 1250KVA, 1600KVA, 2000KVA & 2500 KVA, 11/0.433 KV, 22/0.433 KV, 33/0.433 KV, Star-1, Star-2, Star-3, Star-4 & Star-5, THREE PHASE, DISTRIBUTION TRANSFORMERS OUTDOOR TYPE OIL IMMERSSED WITHOUT CSP FEATURE.**

---

Calculation of Temperature Rise in Winding

LV Winding : Since the resistance of LV winding is less than 0.005 ohm, Temperature Rise in LV Winding is taken as temperature rise of oil as per clause no. 4.3 of IS:2026 (Part II)/1977

Temperature Rise in LV Winding = \_\_\_\_\_ °C

HV Winding Resistance across 1U1V at \_\_\_\_\_ °C = \_\_\_\_\_ ohm

Measurement of Hot Resistance of HV Winding after Shut Down.

Time	Resistance

Hot winding Resistance at Ambient Temperature \_\_\_\_\_ °C (from graph) = \_\_\_\_\_ Ohm

Temperature Rise in H. V. Winding is

$$= \frac{\text{Hot Resistance} \times (235 + \text{Cold Ambient Temperature})}{\text{Cold Resistance}} - (235 + \text{Hot Ambient Temperature})$$

=

=

Results :

- 1) Temperature Rise in Oil = \_\_\_\_\_ °C
- 2) Temperature Rise in LV Winding = \_\_\_\_\_ °C
- 3) Temperature Rise in HV Winding = \_\_\_\_\_ °C
- 4) Oil leakage test:

The oil leakage test shall be conducted on one unit selected from the offered lot of each rating. Transformer complete in all respects shall be subjected to the pressure of 0.4 kg/cm<sup>2</sup> and maintained for 8 hours . No leakage should occur.

Test witnessed by \_\_\_\_\_

Tested by \_\_\_\_\_

**TECHNICAL SPECIFICATION OF 315KVA, 630 KVA, 1000 KVA, 1250KVA, 1600KVA, 2000KVA & 2500 KVA, 11/0.433 KV, 22/0.433 KV, 33/0.433 KV, Star-1, Star-2, Star-3, Star-4 & Star-5, THREE PHASE, DISTRIBUTION TRANSFORMERS OUTDOOR TYPE OIL IMMERSSED WITHOUT CSP FEATURE.**

SCHEDULE - A

**GURANTEED TECHNICAL PARTICULARS**

Sr. No.	GTP Parameters	Remark
1	Name of Manufacturer	T
2	Reference Standards	T
3	Rating of Transformer in KVA	N
4	Primary voltage in kV	N
5	Secondary voltage in Kv	N
6	Transformer shall be Oil Natural Air Natural (ONAN) type Yes/No	B
7	Transformer shall be suitable for Outdoor/ Indoor application. (Yes/No)	B
8	Transformer shall be Oil Natural cooled type (yes/No)	B
9	Highest System Voltage in Kv	N
10	Frequency in HZ.	N
11	Transformer shall be suitable for solid neutral earthing (Yes/No)	B
12	Service condition shall be applicable as per Technical specification clause no. 3	B
13	Transformer Colour as per IS:5 (Shade no. 108)	T
14	Type of connection for H.V. Winding (Delta) (Yes/No).	B
15	Type of connection for L.V. Winding (Star) (Yes/No)	B
16	Vector Group Dyn-11 (Yes/No)	B
17	Name Plate details are as per the requirement specified in tender (Yes/No)	B
18	Thickness of Name plate (in SWG)	N
19	Maximum temperature rise of Windings over an Ambient temp. of 50°C in °C in	N
20	Maximum temperature rise of oil over an Ambient temp. of 50°C in °C in	N
21	Approximate overall length of the Transformer in mm	N
22	Approximate overall breadth of the Transformer in mm	N
23	Approximate overall height of the Transformer in mm	N
24	Approximate length of the Transformer tank in mm	N
25	Approximate breadth of the Transformer tank in mm	N
26	Approximate height of the Transformer tank in mm	N
27	Thickness of the side of transformer tank plates in mm	N
28	Thickness of the bottom of transformer tank plates in mm	N
29	Thickness of the top of transformer tank plates in mm	N
30	Size of reinforced welded angle to the Transformer Tank in mm.	T
31	Degree of slope to the top plate of Transformer	T
32	Shape of transformer Tank	T
33	Type of Tank (Corrugated/ Conventional)	T
34	In case of corrugated tank, thickness of corrugated sheet (in mm)	T
35	Size of Transformer Base Channel in mm.	T
36	Size (diameter & width) and No. of Rollers provided to the Transformer	T
37	Conservator tank to the transformer with oil level indicator (showing three levels) and drain	B

**TECHNICAL SPECIFICATION OF 315KVA, 630 KVA, 1000 KVA, 1250KVA, 1600KVA, 2000KVA & 2500 KVA, 11/0.433 KV, 22/0.433 KV, 33/0.433 KV, Star-1, Star-2, Star-3, Star-4 & Star-5, THREE PHASE, DISTRIBUTION TRANSFORMERS OUTDOOR TYPE OIL IMMERSSED WITHOUT CSP FEATURE.**

	plug is provided ( Yes/ No)	
38	Dimensions of conservator Tank (LxD) in mm	T
39	Drain Valve size provided to the transformer tank ( Yes/No)	B
40	Size of Oil filling hole with cap in mm. (on conservator) is provided.	B
41	Size of Drain valve in mm. is provided.	T
42	Size of filter valve in mm. is provided.	T
43	No. & Size in mm of Lifting lugs provided to transformer	T
44	No. & Size in mm of pulling lugs provided to transformer	T
45	No. & Size in mm of transformer top cover lifting lugs provided to transformer	T
46	No. of Earthing terminals with suitable size in (SWG)	T
47	Thermometer pocket is provided (Yes/No)	B
48	Quantity of Silica-Gel filled in breather ( in gm) & make of breather	T
49	Explosion vent with diaphragm. (Yes/No)	B
50	No of radiators both on HV & LV side provided and location with arrangement & size.	T
51	Thickness of the radiator of transformer in mm.	N
52	No of radiator fins.	N
53	(A) Radiating surface of radiators in Sq. Mtrs.	N
54	(B) Radiating surface of Tank only in Sq. Mtrs.	N
55	Total radiating surface of transformer tank in Sq. mtrs.	N
56	Off Load Tap changer on higher voltage winding for variation of H.V voltage within range of (+) 5% to (-) 15% insteps of 2.5 % provided (Yes/No)	T
57	Weight of Core in kgs	N
58	Weight of copper (Winding) in Kgs.	N
59	Weight of Transformer Tank with fittings in Kgs.	N
60	Weight of Oil in kgs	N
61	Volume of Oil in Ltrs	N
62	Total weight of Transformer in Kgs	N
63	Rating of Lightning Arrestors and Make thereof (kV, kA)	T
64	Reference Standard of Lightning Arrestors.	T
65	Min. External Clearances of HV Bushing terminals between Ph to Ph (in mm )	N
66	Min. External Clearances of HV Bushing terminals between Ph to E (in mm)	N
67	Min. External Clearances of LV Bushing terminals between Ph to Ph (in mm)	N
68	Min. External Clearances of LV Bushing terminals between Ph to E (in mm)	N
69	The temperature shall in no case reach a value that will damage the core itself , other parts or adjacent materials (Yes/No)	B
70	Type of Core (stacked/ wound)	T
71	Core material used & its grade	T
72	Thickness of core lamination in mm	T
73	No of steps used in CRGO Core	N
74	Diameter of the core (in mm)	T
75	Effective Core Area ( Sq. cm)	T

**TECHNICAL SPECIFICATION OF 315KVA, 630 KVA, 1000 KVA, 1250KVA, 1600KVA, 2000KVA & 2500 KVA, 11/0.433 KV, 22/0.433 KV, 33/0.433 KV, Star-1, Star-2, Star-3, Star-4 & Star-5, THREE PHASE, DISTRIBUTION TRANSFORMERS OUTDOOR TYPE OIL IMMERSED WITHOUT CSP FEATURE.**

76	Flux density at normal voltage and frequency in Tesla	N
77	Material of H.V. Winding	T
78	Material of L.V. Winding	T
79	Size/diameter of conductor used for HV winding in mm	T
80	Total cross section area of HV Winding in sq mm.	N
81	Size of strip used for LV winding conductor in mm	T
82	Total cross section of Copper used in LV Winding in sq. mm	N
83	No. of conductors in parallel of LV winding	T
84	Current density of HV winding , in Amps/sq. mm.	T
85	Current density of LV winding, in Amps / sq.mm.	T
86	No of HV winding Turns	T
87	No of LV winding Turns	N
88	No of H.V. coils /phase	N
89	No. of L.V. coils/phase	T
90	Resistance of HV winding at 20 ° C in Ohm/phase	N
91	Resistance of LV winding at 20 ° C in Ohm/phase	N
92	% impedance value at 75° C	N
93	Name of manufacturer of oil	T
94	Grade of Oil	T
95	A. Minimum volume of oil in liters as per clause No. 9 of tech. specification	T
96	B. Quantity of total oil absorption (in Ltrs) in first filling	T
97	Total oil Volume including Total Oil absorption in liters i.e. (A+B)	N
98	Breakdown value of oil at the time of first filling (KV/mm) considering 2.5 mm gap	T
99	Total volume of conservator shall be such as to content 10% of total quantity of oil (Yes/No)	B
100	Max. core (No load) losses at rated voltage and frequency in Watts	T
101	Max. Total losses (No load loss + Load Loss) at 50 % loading in Watts at 75°C	T
102	Max. Total losses (No load loss + Load Loss) at 100 % loading in Watts at 75°C	N
103	Magnetizing current (No load) in Amps & its % of full load current & rated voltage referred to LV side	T
104	Magnetizing current (No load) in amps & its % of full load current at maximum voltage (112.5% of rated voltage ) referred to LV side	T
105	Clearance between Core & L.V. in mm	N
106	Clearances between L.V. & H.V. in mm	N
107	Clearances between winding to body of tank in mm	N
108	Clearance between HV phase to phase in mm	N
109	Clearances between end insulation to Earth in mm	N
110	Insulation materials provided for core	T
111	Insulation materials provided for H.V. Conductor	T
112	Insulation materials provided for L.V. Conductor	T
113	Thickness of locking spacers between HV coils in mm	T
114	Inter layer insulation provided in H.V winding to design for Top & bottom layer	T



**TECHNICAL SPECIFICATION OF 315KVA, 630 KVA, 1000 KVA, 1250KVA, 1600KVA, 2000KVA & 2500 KVA, 11/0.433 KV, 22/0.433 KV, 33/0.433 KV, Star-1, Star-2, Star-3, Star-4 & Star-5, THREE PHASE, DISTRIBUTION TRANSFORMERS OUTDOOR TYPE OIL IMMERSSED WITHOUT CSP FEATURE.**

115	Inter layer insulation provided in L.V winding to design for Top & bottom layer	T
116	Inter layer insulation provided in between all layer in H.V winding	T
117	Inter layer insulation provided in between all layer in L.V winding	T
118	Details of end insulation (thickness in mm)	N
119	Whether wedges are Provided at 50% turns of the Coil (Yes/ No)	B
120	Thickness of insulating paper	N
121	Regulation at 0.8 P.F. lag ( in %)	N
122	Regulation at 0.8 P.F. leading ( in %)	N
123	Regulation at unity P.F.. (in %)	N
124	Reference standard of Bushing	T
125	Material of HV and L.V Bushings	T
126	Makes of HV and L.V Bushings	T
127	Rating of HV Bushing ( in KV,A)	T
128	Rating of LV Bushing (in KV,A)	T
129	Minimum Creepage Distance of HV Bushings in mm (min 25mm/kV)	N
130	Minimum Creepage Distance of LV Bushings in mm (min 25mm/kV)	N
131	Power frequency withstand voltage dry & wet in kV(rms) for HV Bushings	N
132	Dry lightning impulse withstand voltage test in kV (Peak) stating the waveform adopted	T
133	for HV Bushing.	T
134	Separate source power frequency withstand test for HV for 1minute in kV(min)	T
135	Separate source power frequency withstand test for LV for 1minute in kV(min)	T
136	Induced over voltage withstand test for 1 min. specify voltage frequency, time for test.	T
137	Impulse test value (in kVp) .	T
138	4P 3-G air filled cable box shall be suitable to 3.5 core PVC aluminum cable with copper flats filled on L.T. studs to connect XLPE cable shall be provided on L.V. side (Yes/No) & size of cable in sq.mm (shall be mentioned)	T
139	Efficiency at 75 ° C at unity P.F. at 125 % Load	N
140	Efficiency at 75 ° C at unity P.F at 100 % Load	N
141	Efficiency at 75 ° C at unity P.F. at 75 % Load	N
142	Efficiency at 75 ° C at unity P.F. at 50 % Load	N
143	Efficiency at 75 ° C at 0.8 P.F. lag at 125 % Load	N
144	Efficiency at 75 ° C at 0.8 P.F. lag at 100 % Load	N
145	Efficiency at 75 ° C at 0.8 P.F. lag at 75 % Load	N
146	Efficiency at 75 ° C at 0.8 P.F. lag at 50 % Load	N
147	Efficiency at 75 ° C at 0.8 P.F. lag at 25 % Load	N
148	Efficiency at 75 ° C at 0.8 P.F. leading at 125 % Load	N
149	Efficiency at 75 ° C at 0.8 P.F. leading at 100 % Load	N
150	Efficiency at 75 ° C at 0.8 P.F. leading at 75 % Load	N
151	Efficiency at 75 ° C at 0.8 P.F. leading at 50 % Load	N
152	Efficiency at 75 ° C at 0.8 P.F. leading at 25 % Load	N

**TECHNICAL SPECIFICATION OF 315KVA, 630 KVA, 1000 KVA, 1250KVA, 1600KVA, 2000KVA & 2500 KVA, 11/0.433 KV, 22/0.433 KV, 33/0.433 KV, Star-1, Star-2, Star-3, Star-4 & Star-5, THREE PHASE, DISTRIBUTION TRANSFORMERS OUTDOOR TYPE OIL IMMERSSED WITHOUT CSP FEATURE.**

---

153	The test certificates of copper conductors, core , insulating paper, porcelain Bushings, steel plate used for enclosure of the offered transformer are enclosed with the offer(Yes/No)	B
154	All type test report carried out on transformer at NABL laboratory shall be submitted along with the offer as per cl. XXII (c) of Section (I) i.e. Instructions to tenderers. (Yes/No). Firm may attach online.	B
155	Unbalance current test, Air pressure test and temperature rise test shall be conducted as per format enclosed with the technical specification along with the offer (Yes/ No)	B
156	All drawings shall be furnished for each offered item separately along with this offer (Yes/ No)	B
157	Oil absorption calculation sheet shall be furnished for each offered item separately along with this offer (Yes/ No)	B
158	Heat dissipation calculation shall be furnished for each offered item separately along with this offer (Yes/ No)	B
159	Calculation sheet submitted for Flux density calculations (stating HV & LV turns) for each offered item separately along with the offer (Yes/No)	B
160	Calculation sheet for 112% of rated V/f ratio (Over fluxing) calculation sheet shall be furnished for each item separately along with this offer (Yes/No)	B
161	Required documents, plant and machinery, testing equipment , list of order executed/under execution shall be furnished for each offered item separately along with this offer (Yes/ No)	B
162	The information required under Quality Assurance shall be submitted with the offer in physical format & soft copy(Yes/ No)	B
163	The cost data in the prescribed format shall be submitted with offer in physical format & soft copy (Yes/ No)	B
164	The performance Guarantee of the transformers in years NUMERIC	N

**TECHNICAL SPECIFICATION OF 315KVA, 630 KVA, 1000 KVA, 1250KVA, 1600KVA, 2000KVA & 2500 KVA, 11/0.433 KV, 22/0.433 KV, 33/0.433 KV, Star-1, Star-2, Star-3, Star-4 & Star-5, THREE PHASE, DISTRIBUTION TRANSFORMERS OUTDOOR TYPE OIL IMMERSED WITHOUT CSP FEATURE.**

REF. STANDARD : IS 2024-1977: 0 1180 3 STAR RATING, 3 PHL DISTRIBUTION TRANSFORMER	
TYPE	OUT DOOR
TYPE OF COOLING	ONAN
RATED KVA	---
OIL TEMP. RISE	35
RATED HV V	11000
WDG TEMP RISE	40
VOLTAGE LV V	433
VOLUME OF OIL	l
RATED HV A	---
MASS OF OIL	kg
CURRENT LV A	---
WEIGHT OF CORE	kg
PHASES	3
WEIGHT OF WDGs	kg
FREQUENCY Hz	50
TOTAL MASS	kg
IMPEDANCE %	---
SERIAL NO	
GUARANTEED TOTAL LOSSES	--- IN WATTS
INSULATION LEVEL	LITS AC 2B
CORE	DRGD/AMDT
VECTOR GROUP	DYN-11
MONTH/YEAR OF MFG	--- & ---
OWNER	MSEDCL, MUMBAI.
A/T.NO.	

CONNECTION DIAGRAM

VECTOR DIAGRAM

4 HOLES Ø3

ASHTRA STATE

DISTRIBUTION CO.

**NOTE:**

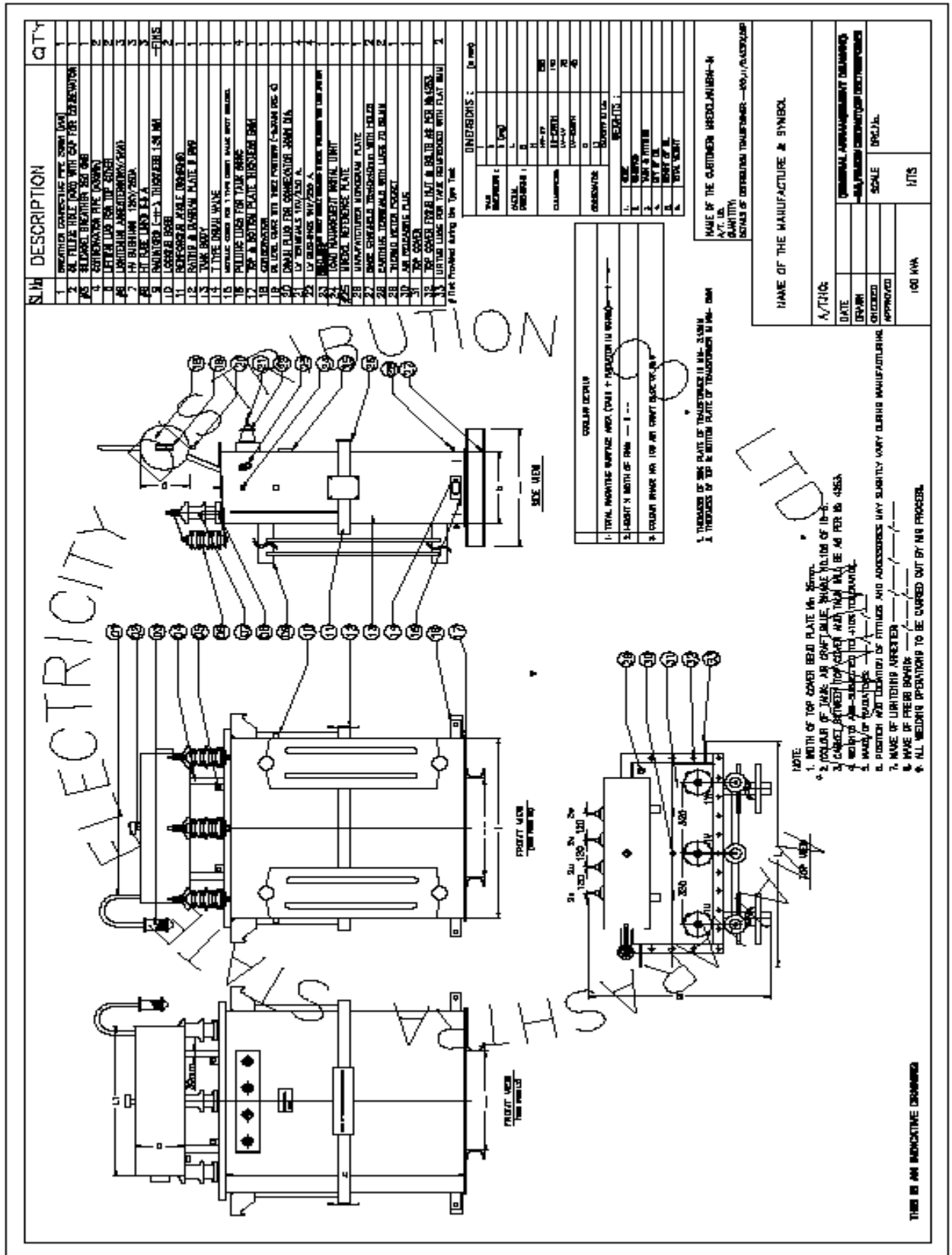
- ACTUAL VALUES SHALL BE PUNCHED AT THE TIME OF DISPATCH.
- RATING PLATE MATERIAL: ALUMINIUM ANODIZED
- THICKNESS OF RATING PLATE: 18 SWG
- WEIGHTS ARE SUBJECTED TO +10% TOLERANCE

**THIS IS AN INDICATIVE DRAWING**

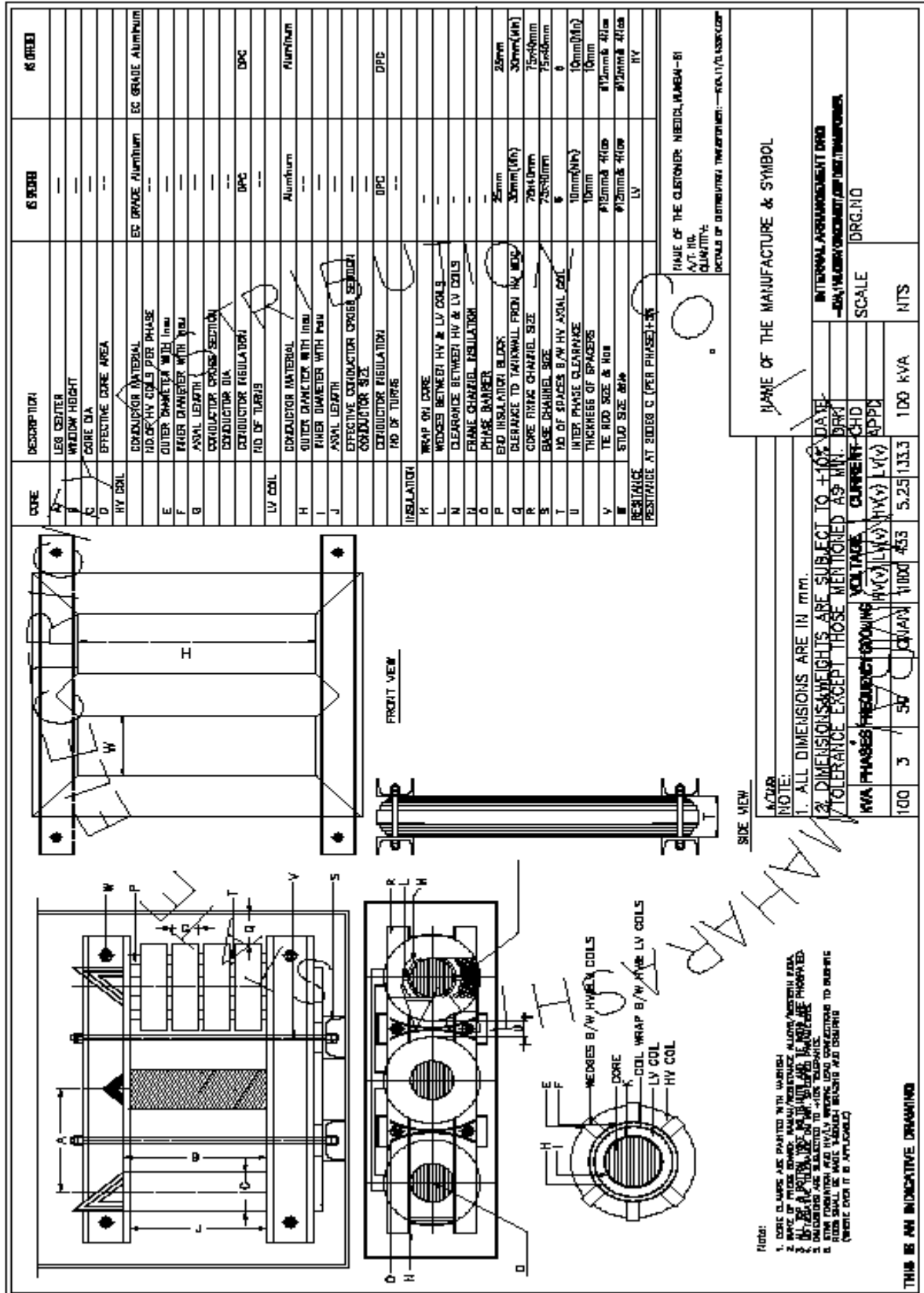
NAME OF THE CUSTOMER: MSEDCL, MUMBAI-51	
A/T. NO.	
QUANTITY	
DETAILS OF DISTRIBUTION TRANSFORMER: ---KVA, 11/0.433KV	

NAME OF THE MANUFACTURE & SYMBOL	
DATE	<b>RATING &amp; TERMINAL MARKING PLATE</b> ---KVA, 11/0.433KV DRGD/AMDT, DIST. TRANSFORMER
DRN	
CHD	SCALE
APPD	DRG. NO
---KVA      NTS	

**TECHNICAL SPECIFICATION OF 315KVA, 630 KVA, 1000 KVA, 1250KVA, 1600KVA, 2000KVA & 2500 KVA, 11/0.433 KV, 22/0.433 KV, 33/0.433 KV, Star-1, Star-2, Star-3, Star-4 & Star-5, THREE PHASE, DISTRIBUTION TRANSFORMERS OUTDOOR TYPE OIL IMMERSED WITHOUT CSP FEATURE.**



**TECHNICAL SPECIFICATION OF 315KVA, 630 KVA, 1000 KVA, 1250KVA, 1600KVA, 2000KVA & 2500 KVA, 11/0.433 KV, 22/0.433 KV, 33/0.433 KV, Star-1, Star-2, Star-3, Star-4 & Star-5, THREE PHASE, DISTRIBUTION TRANSFORMERS OUTDOOR TYPE OIL IMMERSED WITHOUT CSP FEATURE.**



**TECHNICAL SPECIFICATION OF 315KVA, 630 KVA, 1000 KVA, 1250KVA, 1600KVA, 2000KVA & 2500 KVA, 11/0.433 KV, 22/0.433 KV, 33/0.433 KV, Star-1, Star-2, Star-3, Star-4 & Star-5, THREE PHASE, DISTRIBUTION TRANSFORMERS OUTDOOR TYPE OIL IMMERSED WITHOUT CSP FEATURE.**

TECHNICAL DETAILS		DESCRIPTION		AS ORDERED		AS SUPPLIED	
Sl. No.	DESCRIPTION	UNIT	QTY	UNIT	QTY	UNIT	QTY
1	PRIMARY VOLTAGE (KV)	KV	1	KV	11	0.433	11
2	SECONDARY VOLTAGE (KV)	KV	1	KV	0.433	11	0.433
3	WINDING CONNECTION						
4	WINDING CONNECTION						
5	WINDING CONNECTION						
6	WINDING CONNECTION						
7	WINDING CONNECTION						
8	WINDING CONNECTION						
9	WINDING CONNECTION						
10	WINDING CONNECTION						
11	WINDING CONNECTION						
12	WINDING CONNECTION						
13	WINDING CONNECTION						
14	WINDING CONNECTION						
15	WINDING CONNECTION						
16	WINDING CONNECTION						
17	WINDING CONNECTION						
18	WINDING CONNECTION						
19	WINDING CONNECTION						
20	WINDING CONNECTION						
21	WINDING CONNECTION						
22	WINDING CONNECTION						
23	WINDING CONNECTION						
24	WINDING CONNECTION						
25	WINDING CONNECTION						
26	WINDING CONNECTION						
27	WINDING CONNECTION						
28	WINDING CONNECTION						
29	WINDING CONNECTION						
30	WINDING CONNECTION						
31	WINDING CONNECTION						
32	WINDING CONNECTION						
33	WINDING CONNECTION						
34	WINDING CONNECTION						
35	WINDING CONNECTION						
36	WINDING CONNECTION						
37	WINDING CONNECTION						
38	WINDING CONNECTION						
39	WINDING CONNECTION						
40	WINDING CONNECTION						
41	WINDING CONNECTION						
42	WINDING CONNECTION						
43	WINDING CONNECTION						
44	WINDING CONNECTION						
45	WINDING CONNECTION						
46	WINDING CONNECTION						
47	WINDING CONNECTION						
48	WINDING CONNECTION						
49	WINDING CONNECTION						
50	WINDING CONNECTION						
51	WINDING CONNECTION						
52	WINDING CONNECTION						
53	WINDING CONNECTION						
54	WINDING CONNECTION						
55	WINDING CONNECTION						
56	WINDING CONNECTION						
57	WINDING CONNECTION						
58	WINDING CONNECTION						
59	WINDING CONNECTION						
60	WINDING CONNECTION						
61	WINDING CONNECTION						
62	WINDING CONNECTION						
63	WINDING CONNECTION						
64	WINDING CONNECTION						
65	WINDING CONNECTION						
66	WINDING CONNECTION						
67	WINDING CONNECTION						
68	WINDING CONNECTION						
69	WINDING CONNECTION						
70	WINDING CONNECTION						
71	WINDING CONNECTION						
72	WINDING CONNECTION						
73	WINDING CONNECTION						
74	WINDING CONNECTION						
75	WINDING CONNECTION						
76	WINDING CONNECTION						
77	WINDING CONNECTION						
78	WINDING CONNECTION						
79	WINDING CONNECTION						
80	WINDING CONNECTION						
81	WINDING CONNECTION						
82	WINDING CONNECTION						
83	WINDING CONNECTION						
84	WINDING CONNECTION						
85	WINDING CONNECTION						
86	WINDING CONNECTION						
87	WINDING CONNECTION						
88	WINDING CONNECTION						
89	WINDING CONNECTION						
90	WINDING CONNECTION						
91	WINDING CONNECTION						
92	WINDING CONNECTION						
93	WINDING CONNECTION						
94	WINDING CONNECTION						
95	WINDING CONNECTION						
96	WINDING CONNECTION						
97	WINDING CONNECTION						
98	WINDING CONNECTION						
99	WINDING CONNECTION						
100	WINDING CONNECTION						

**TECHNICAL DETAILS**

1. CORE WINDOW HEIGHT

2. CORE WINDOW CENTRE TO CENTRE

3. CORE STACK THK

4. TOTAL CROSS SECTION AREA --Cm<sup>2</sup>

5. EFFECTIVE CORE AREA = (BTPH) - (Cm<sup>2</sup>)

**THIS IS AN INDICATIVE DRAWING**

STEP NO.	1	2	3	4	5	6	7	8
STEP WIDTH								
STACK THK								
TOTAL CROSS SECTION AREA --Cm <sup>2</sup>								
EFFECTIVE CORE AREA = (BTPH) - (Cm <sup>2</sup> )								

**TECHNICAL DETAILS DRAWING**

SCALE: DRG.NO

NTS

**NAME OF THE CUSTOMER: MSEDCL, MUMBAI-51**

A/T. NO.

QUANTITY:

DETAILS OF DISTRIBUTION TRANSFORMER: ---KVA, 11/0.433KV, CSP

**NAME OF THE MANUFACTURE & SYMBOL**

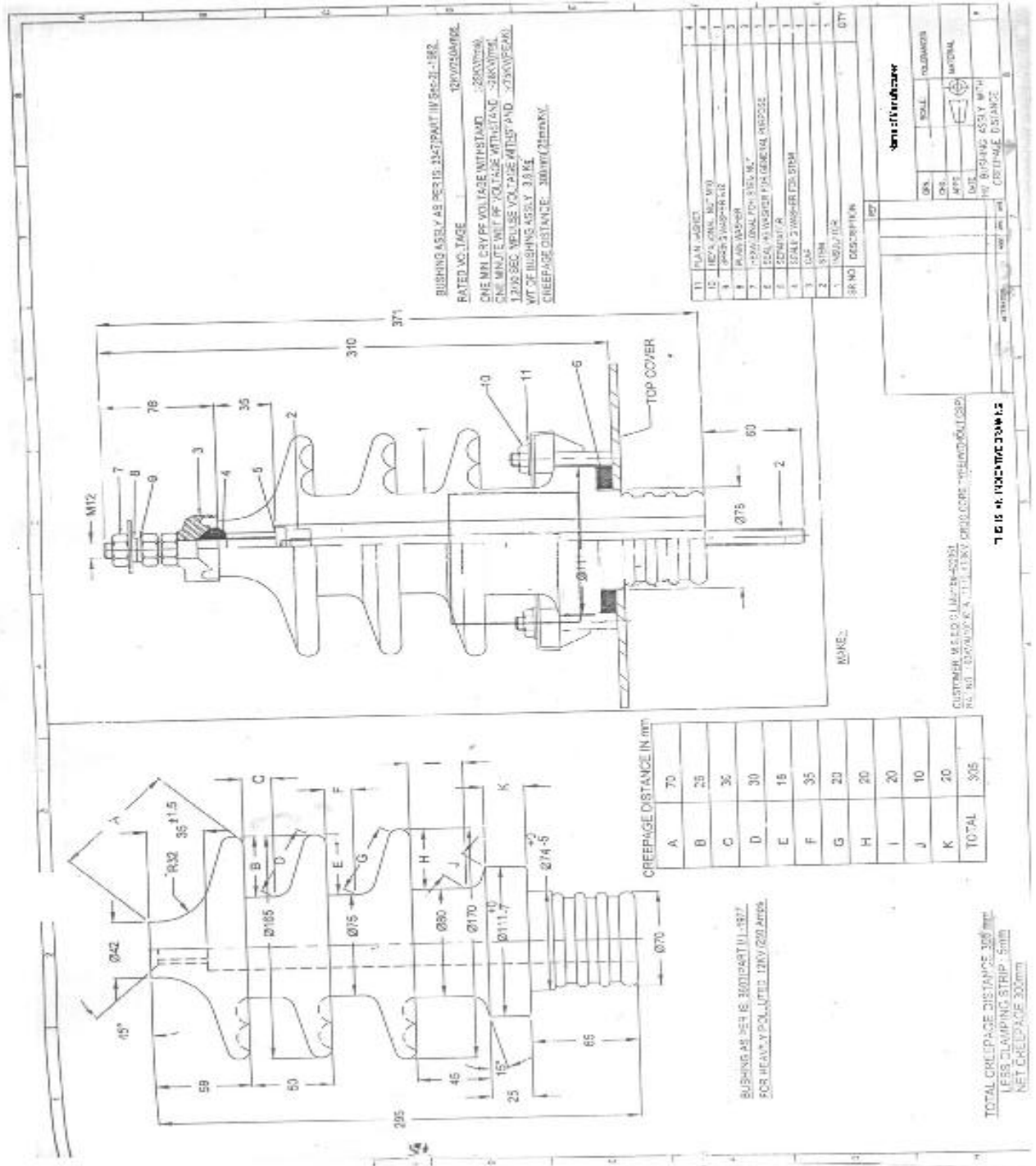
**NOTE:**

1. ALL DIMENSIONS ARE IN mm.

2. DIMENSIONS & WEIGHTS ARE SUBJECT TO +10% TOLERANCE EXCEPT THOSE MENTIONED AS MIN. DRN

KVA	PHASES	FREQUENCY	COOLING	VOLTAGE	CURRENT
---	3	50	ONAN	11KV	1525
				0.433	153.3

**TECHNICAL SPECIFICATION OF 315KVA, 630 KVA, 1000 KVA, 1250KVA, 1600KVA, 2000KVA & 2500 KVA, 11/0.433 KV, 22/0.433 KV, 33/0.433 KV, Star-1, Star-2, Star-3, Star-4 & Star-5, THREE PHASE, DISTRIBUTION TRANSFORMERS OUTDOOR TYPE OIL IMMERSED WITHOUT CSP FEATURE.**





**TECHNICAL SPECIFICATION OF 315KVA, 630 KVA, 1000 KVA, 1250KVA, 1600KVA, 2000KVA & 2500 KVA, 11/0.433 KV, 22/0.433 KV, 33/0.433 KV, Star-1, Star-2, Star-3, Star-4 & Star-5, THREE PHASE, DISTRIBUTION TRANSFORMERS OUTDOOR TYPE OIL IMMERSED WITHOUT CSP FEATURE.**

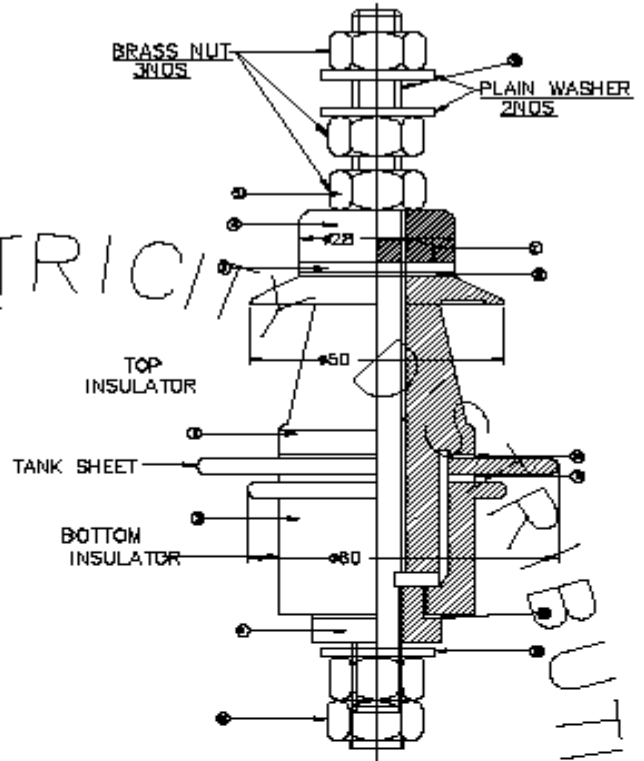
### TRANSFORMER BUSHING AS PER IS:3347

**ELECTRICAL CHARACTERISTICS:**

1. RATED VOLTAGE : 1 KV
2. RATED CURRENT : 250 Amp
3. POWER FREQUENCY WITHSTAND VOLTAGE : 3 KV
4. CREEPAGE DISTANCE : 25 MM. (MIN.)

**NOTE:**

PERFORMANCE REQUIREMENTS OF THE BUSHING SHALL CONFIRM TO IS: 3347



MAKE: / / /

QTY	DESCRIPTION	QTY
1	INSULATOR UPPER	1
2	INSULATOR LOWER	2
3	WASHER	2
4	TOP END WASHER	1
5	ITEM WASHER	2
6	BOTTOM NUT	2
7	SEALING WASHER (TYPE M)	1
8	SEALING WASHER (TYPE M)	1
9	SEALING WASHER (TYPE M)	1
10	SEALING WASHER (TYPE M)	1
11	SEALING WASHER (TYPE M)	1
12	SEALING WASHER (TYPE M)	1
13	SEALING WASHER (TYPE M)	1
14	SEALING WASHER (TYPE M)	1

NAME OF THE CUSTOMER: MSEDCL, MUMBAI-51  
 A.T. NO. MUMBAI/  
 QUANTITY: 1000  
 DETAILS OF DISTRIBUTION TRANSFORMER: 100KVA, 11/0.433KV, CSP

NAME OF THE MANUFACTURE & SYMBOL

A/T. NO:

Note

LV BUSHING ASSEMBLY DRAWING  
 100KVA, 11/0.433KV CSP, CSP DIST. TRANSFORMER

CAD

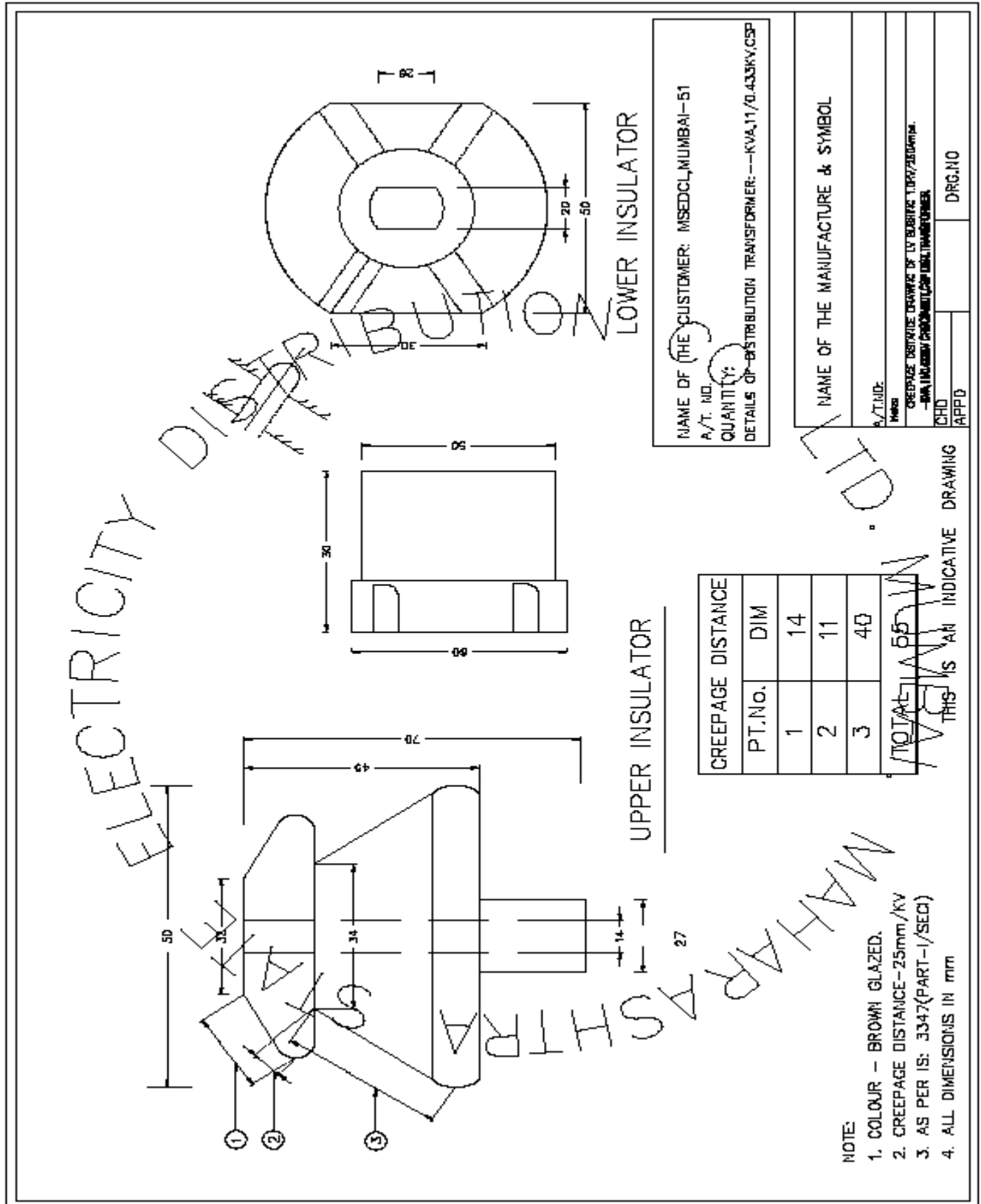
APPD

DRG. NO

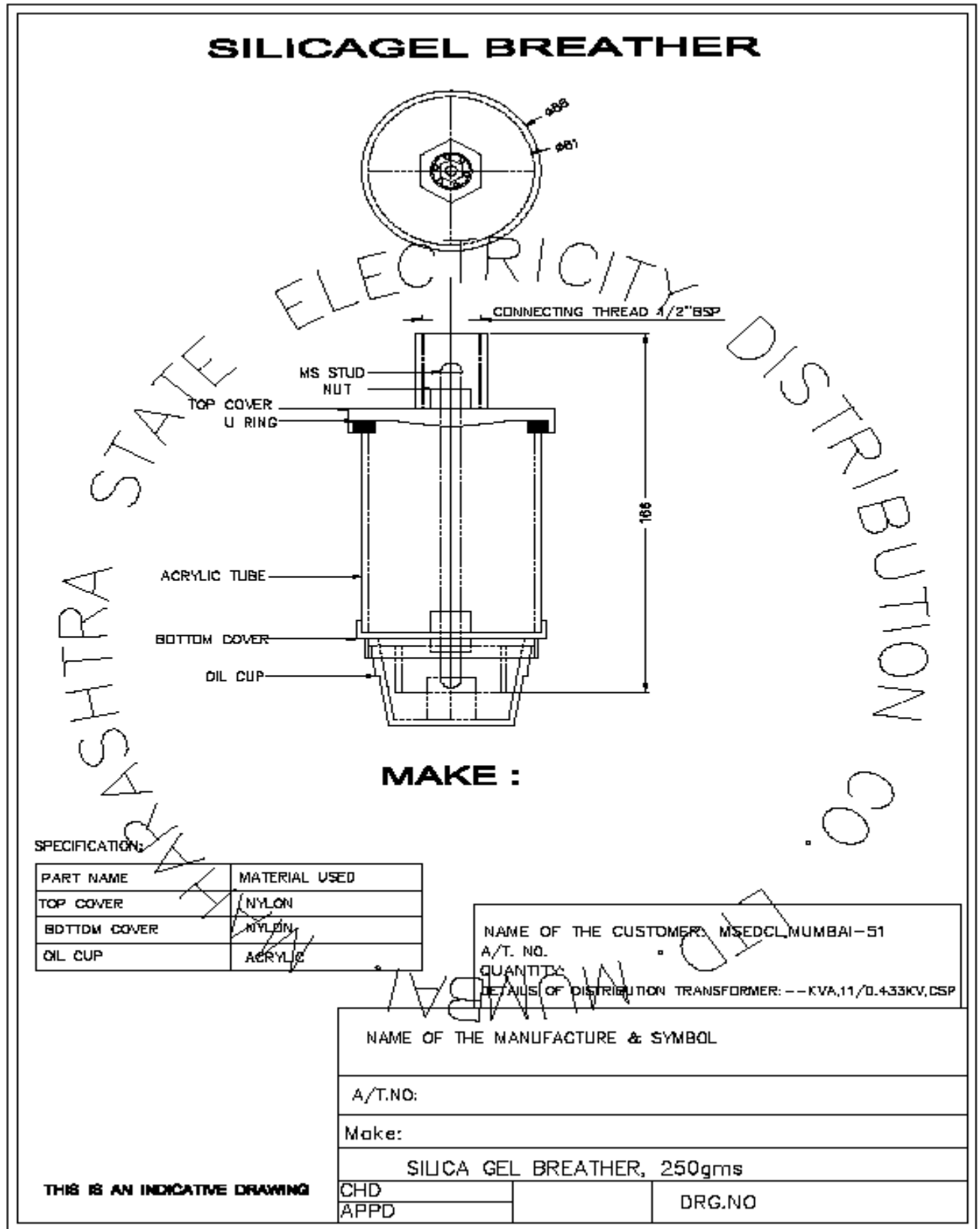
**THIS IS AN INDICATIVE DRAWING**



**TECHNICAL SPECIFICATION OF 315KVA, 630 KVA, 1000 KVA, 1250KVA, 1600KVA, 2000KVA & 2500 KVA, 11/0.433 KV, 22/0.433 KV, 33/0.433 KV, Star-1, Star-2, Star-3, Star-4 & Star-5, THREE PHASE, DISTRIBUTION TRANSFORMERS OUTDOOR TYPE OIL IMMERSED WITHOUT CSP FEATURE.**



**TECHNICAL SPECIFICATION OF 315KVA, 630 KVA, 1000 KVA, 1250KVA, 1600KVA,  
2000KVA & 2500 KVA, 11/0.433 KV, 22/0.433 KV, 33/0.433 KV, Star-1, Star-2, Star-3, Star-  
4 & Star-5, THREE PHASE, DISTRIBUTION TRANSFORMERS OUTDOOR TYPE OIL IMMERSED  
WITHOUT CSP FEATURE.**



**TECHNICAL SPECIFICATION OF 315KVA, 630 KVA, 1000 KVA, 1250KVA, 1600KVA,  
2000KVA & 2500 KVA, 11/0.433 KV, 22/0.433 KV, 33/0.433 KV, Star-1, Star-2, Star-3, Star-  
4 & Star-5, THREE PHASE, DISTRIBUTION TRANSFORMERS OUTDOOR TYPE OIL IMMERSED  
WITHOUT CSP FEATURE.**

---